

Ingenious Locking Technology for the Railroad Industry



Assembling inside the gasketing



outside the gasketing



Concealed hinge



Prominent hinge



Lift-off version hinge



Hinge limited lift-off version



Hinge for single cabinets



Hinge for in-line cabinets with single door



Hinge for in-line cabinets with double door



Door RH-version



Door LH-version



Door RH- and LH-version



IP rating, such as IP 65



PUR-foamed seal



Compression specification of lock



With earthing or earthing possible



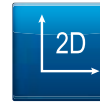
ELM Electronic Locking & Monitoring System application



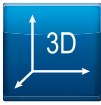
Resistance class 2 tested acc. to DIN EN 1630



2D nut in use



2D adjustable product



3D adjustable product



Assembly without tool



Clip-in assembling



Item with graffiti resistant paint



meets hygiene requirements acc. to DIN EN 1672-2



meets hygiene requirements acc. to DIN EN ISO 14159



Shock and vibration test according to DIN EN 61373



Plastic flame-resistant according to classification UL94



Stainless steel
AISI 303 resp. 1.4301
AISI 316 resp. 1.4305
AISI 304 resp. 1.4401
AISI 316 Ti resp. 1.4571

Meaning of the Icons

The icons on the catalogue pages show the special properties of the items presented there.

Info

1 Locks

Information	B1-100
Quarter turn	B1-120
Compression latches	B1-210
Special parts	B1-410
Accessories for quarter turns and latches	B1-510
Examples of customer solutions	B1-610
Slam locks	B1-710
Latch locks	B1-810
Complex locking systems	B1-910

2 Hinges

Hinges for overlay doors	B2-110
Hinges for flush doors	B2-210
Pin hinges	B2-310

3 Gasketings

Information	B3-110
Gaskets made of fire protection compound self-clamping	B3-210
Gaskets made of fire protection compound fixed by securing in a U-section	B3-310
Clip-on gasket of fire protection material	B3-410
Edge protection made of fire protection compound	B3-510
EMC gasketing material	B3-610

4 Accessories

Aluminium window - with or without a frame	B4-110
Miscellaneous	B4-210

Article number index

List of contents



- Company headquarters
- Production site
- Subsidiary
- Agencies



EMKA worldwide

Production in Europe



Company headquarters Velbert, Germany



Wuppertal, Germany



Henriville, France



Arnedo, Spain



Birmingham, UK



Goražde (Plant 1), Bosnia-Herzegovina



Goražde (Plant 2),
Bosnia and Herzegovina



Mionica, Serbia

Sales Worldwide



Kittsee, Austria



Interlaken, Switzerland



Bourré, France



Veghel, Netherlands



Bedzin (Katowice), Poland



Pastrengo, Italy



Arnedo, Spain



Coventry, UK



Jönköping, Sweden



Sibiu, Romania



Middletown, USA



Çerkesli-Dilovşı (Istanbul), Turkey



Tjanjin, China



Bangalore, India



Dubai, UAE

The EMKA GROUP is the world market leader for locking systems, hinges and gasketing that are used in switch and control cabinets. In the areas air conditioning technology and transport, EMKA is one of the leading manufacturers of locking technology.

With 2,100 employees, the company is represented in 52 countries worldwide.

Currently, the overall range comprises more than 15,000 articles, which are developed, manufactured, refined and assembled at eight production sites in Germany, France, Great Britain, Spain, Bosnia-Herzegovina and Serbia.

Locking Systems



Locks



Hinges



Gasketings

Product areas

EMKA offers a comprehensive product range of ingenious locking technology from a single source. The modular program structure allows a unique variety of components.

The high quality and product standards are guaranteed by an excellent manufacturing know-how and by the certified process control according to ISO 9001.



Industry

Transport

Electronics

Production

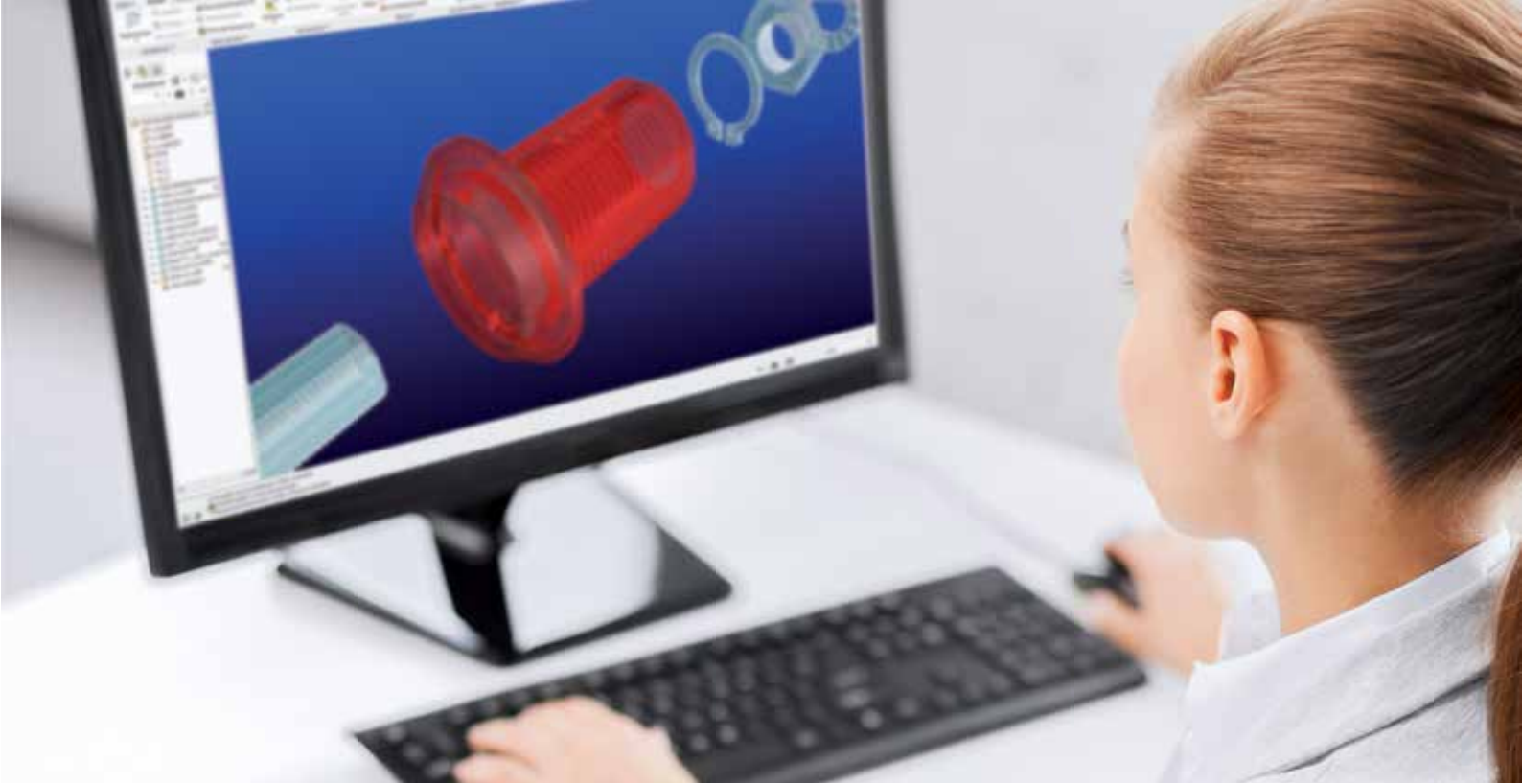
Business units

The EMKA group is divided into four business units which allow a clear focus on individual sectors and taylormade solutions for customers.

With its high level of in-house production, EMKA is in control of the entire production flow in every unit – from the concept to the finished product.



Close communication
with the customer
from the idea to the product



In the EMKA Technology Centre the innovative products of tomorrow are created. 30 designers and design engineers convert ideas into finished products in close collaboration with the customer. Quite a few of these products are incorporated into the EMKA main catalogue which is thus strongly focused on the current market and customer needs. To this day round 20,000 additional special parts have been created in this way that were tailor-made for special customer requirements by our specialists, intensely tested in our internal test lab and finally produced by EMKA.

State-of-the-art CAD systems and development methods such as finite elements method, rapid prototyping and 3D print are only some of the processes that are used in this context. A powerful project management software completes the range of services.

You have got an idea?

Together, let's make a product out of it!



Injection Moulding



Punching, bending
and metal working



Zinc die Casting



SST Precision Casting

Production from A to Z



PUR foam technology



Surface finishing



Extrusion of Profiles



Assembly of profiles

EMKA is an expert not only in stainless steel casting and in injection moulding of zinc and high performance plastics, but also in extruding rubber and plastic profiles.

Other production technologies are stamping, bending, turning, milling, coating, and the final assembly of modular product solutions.

Thus, EMKA sets quality standards in locking technology.



Rail Solutions



The product ranges specifically for the rail industry is characterized by its modular design, versatility and high quality.

It meets the specific requirements of the industry and corresponds to the relevant standards of the branch such as EN 45545 „Railway applications – Fire protection of railway vehicles“.

The wide product range of EMKA comprises outdoor as well as indoor applications for railway vehicle construction.

References
STADLER, Bombardier, Alstrom, Siemens , Voith, Vossloh

MANAGEMENT SYSTEM ZERTIFIKAT

Zertifikat-Nr.:
194710-2016-AQ-GER-DAKKS

Datum der Erstzertifizierung:
16. Februar 2013

Gültig:
16. Februar 2016 - 15. September 2018

Hiermit wird bescheinigt, dass das Unternehmen

EMKA Beschlagteile GmbH & Co. KG
Langenberger Str. 32, 42551 Velbert, Deutschland

Managementsysteme in Übereinstimmung mit diesen Standards eingeführt hat:

ISO 9001:2008
ISO 14001:2004

Dieses Zertifikat ist gültig für die folgenden Produkt- oder Dienstleistungsbereiche:

Entwicklung, Herstellung und Vertrieb von mechanischen / elektronischen Verschluss- Systemen; Scharnieren, Kunststoffspritz- , Automatenrehteilen und Sonderanfertigungen. Management des Herstellungsprozesses von Dichtungen und Druckgussteilen.

Ort und Datum:
Essen, 11. Februar 2016



Zertifizierungsstelle:
DNV GL - Business Assurance
Schlieringhof 14, 45329 Essen, Germany

Thomas Beck
Leiter, Zertifizierungsstelle

Bei Verstoß gegen die im Zertifizierungsvertrag genannten Bedingungen kann das Zertifikat seine Gültigkeit verlieren.
AKKREDITIERTE STELLE: DNV GL Business Assurance Zertifizierung und Umweltgutachter GmbH, Schlieringhof 14, 45329 Essen, Germany.
TEL: +49 201 7296-222, www.dnvgl.de/assurance



Quality assurance

MANAGEMENT SYSTEM CERTIFICATE

Certificate No:
194710-2016-AQ-GER-DAkkS

Initial certification date:
16. February 2013

Valid:
16. February 2016 - 15. September 2018

This is to certify that the management system of

EMKA Beschlagteile GmbH & Co. KG
Langenberger Str. 32, 42551 Velbert, Germany

has been found to conform to the Management System standards:

ISO 9001:2008
ISO 14001:2004

This certificate is valid for the following scope:

Development, manufacturing and sales of mechanical / electronic locking systems; hinges, injection moulded parts, robot turned parts, specially manufactured products. Management of the production process of gaskets and die casting products.

Place and date:
Essen, 11. February 2016



For the issuing office:
DNV GL - Business Assurance
Schmieringhof 14, 45329 Essen, Germany

Thomas Beck
Thomas Beck
Technical Manager

Lack of fulfillment of conditions as set out in the Certification Agreement may render this Certificate invalid.
ACCREDITED UNIT: DNV GL Business Assurance Zertifizierung und Umweltgutachter GmbH, Schmieringhof 14, 45329 Essen, Germany.
TEL: +49 201 7296 222, www.dnvgl.de/businessassurance



The high quality and product standards are guaranteed by excellent manufacturing know-how and by the certified process control according to ISO 9001.

The in-house tool and mould making as well as state-of-the-art development, manufacturing and testing methods ensure a maximum of product quality and reliability.



Compression latch
with optical opening indicator

- Visual opening indicator clearly visible due to 90° open flap when pressed
- The flap closes automatically compressed
- Integrated dust cap
- : flap and door
- Standard cut out program
- Patented
-

Quaterturn railway

- In conformity with RIC
- Outside the gasketing
- Cam and catch available in zinc die or AISI 316
- 25 mm door return
- See page B1-410



compression latch

- Insert and head sh available
- Tamper and vibrat
- RH and LH versior
- Red-green marking
- See page B1-270

t cap



Safety quarter turn with optical opening indicator and marking

- Tamper and vibration proof
- Inner housing pops outward in open condition
- With spring-loaded opening indicator
- Red-green marking
- Suitable for rod controls and cams without catches
- High-quality, matt blasted surface
- See page B1-440

New products at a glance

90° 3D Hinge

- Space-optimized, solid hinge for vehicle ramps and flaps
- Economic structure and design
- Integrated 3D adjustment with comfortable settings by eccentric discs
- Right and left usable
- Concealed hinge with low mounted height
- For commercial vehicles
- Opening angle 90°
- See page B2-230

180° Gear hinge

- High quality gear hinge
- Economic structure and design
- Compact construction
- Concealed, not visible
- 180° opening angle
- Right and left usable
- For doors / flaps up to 40 kg (4 hinges)
- System related, small clearance
- Fixing function optional
- Maintenance-free
- Patented
- See page B2-280

Safety latch lock with marking

- Tamper and vibration proof
- Flush-mounted assembly
- IP65
- Red-green marking
- See page B1-810

Escutcheon with cover

- Protective housing and cover made of stainless steel AISI 316
- Resistant to non-oxidizing acids
- Resistant to pitting corrosion
- Particularly suitable for outer panning
- With foamed sealings
- Spring-loaded flap with latching
- Surface with electrolytic polishing
- IP66 is achieved by pressing the flap into the latching
- See page B1-520

As a long-time system partner of the train and transport industry EMKA is constantly working on new and innovative products.

EMKA already has the trends that will become the standard tomorrow!

In addition to newly developed and enhanced locking solutions, EMKA complements its product portfolio with innovative quarter turns, special hinges, handles, gasketings and special solutions, thus responds to the current requirements of the market.





1 Locks



2 Hinges



3 Gasketings



4 Accessories

INFORMATION

We supply materials certified according to the current fire protection standards for rail vehicles.

E. g. according to DIN EN 45545-2; NF F 16-101/ -102; DIN 5510-2; UNI CEI 11170.

Whether the achieved categories fit to the respective requirements or vehicle classes has to be verified for the individual case.

Generally speaking you can achieve higher fire protection classes with silicone profiles than with EPDM.

Note

- The new European fire protection standard for rail vehicle applications.
- The DIN EN 45545-2 was published with the issue August 2013.
- The DOW (date of withdrawal) was extended from 6 to 36 months so that the national standards are to be withdrawn by March 2016.

DIN EN 45545-2 - railway applications - fire protection in railway vehicles:

Part 2: Requirements for the fire behaviour of materials and components

This part stipulates the test procedures for test conditions and requirements for the reaction to fire of each Hazard Level.

Hazard Level:

Operation category	Building class			
	N: Standard vehicles	A Vehicles for automatic train operation not having staff on board that is trained for emergencies.	D Double-decker trains	S Sleepers and couchettes (bilevel or unilevel)
1	HL1	HL1	HL1	HL2
2	HL2	HL2	HL2	HL2
3	HL2	HL2	HL2	HL3
4	HL3	HL3	HL3	HL3

Operation categories:

Operation category 1: surface vehicles

Operation category 2: tunnel max. 5 km

Operation category 3: tunnel > 5 km

Operation category 4: tunnel, evacuation from the side not possible

Gasketings

The gasketing has been included in DIN EN 45545 and have to meet the requirements R22 for indoors or R23 for outdoors as a function of the Hazard Level. In order to be able to define the Hazard Level, you need to know the Operation Category and Building Class, e. g. 2 (tunnel max. 5 km) D (double-decker trains)!

Explanation regarding inside and outside the gasketing assembly instruction

INFORMATION



Inside the gasketing

The lock is inside the cabinet frame and inside the gasketing.

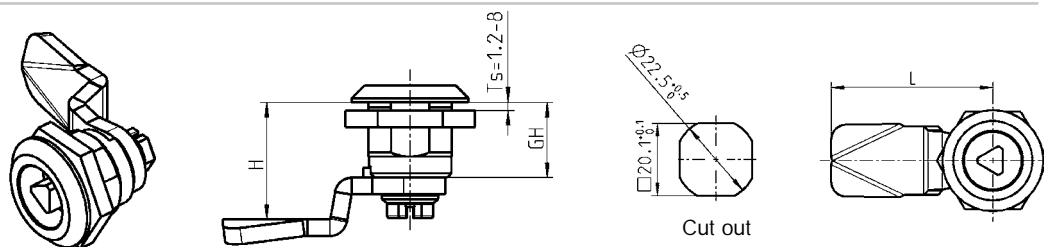


Outside the gasketing

The lock is outside the cabinet frame and outside the gasketing.

Quarter turn

PROGRAM 1000

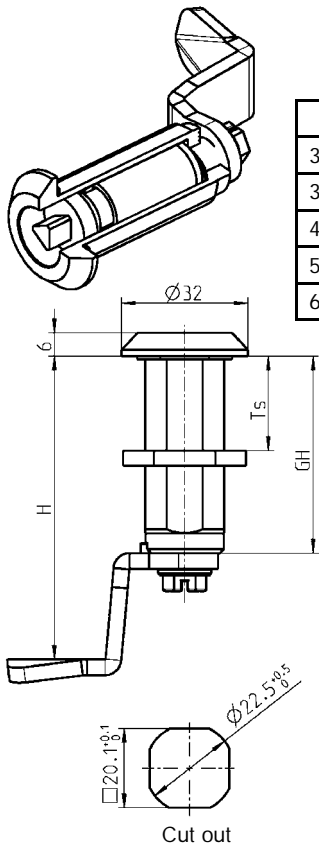


Housing material on choice; nut or earthnut m.s. zinc plated or nut stainless steel

Head diameter GH = 18 mm Head height	Ø28		Ø30		Ø32		Ø28	
	Nut	Earth nut	Nut	Earth nut	Nut	Earth nut	Nut	Earth nut
Zinc die chrome plated	1000-U45	1000-U56	1000-U47	1000-U55	1000-U7	1000-U54	1000-U330	1000-U332
Zinc die chrome plated (with foamed seal)	1000-U45-G	1000-U56-G	1000-U47-G	1000-U55-G	1000-U7-G	1000-U54-G	-	-
Zinc die black powder-coated	1000-U223	1000-U224	1000-U221	1000-U222	1000-U219	1000-U220	1000-U331	1000-U333
Zinc die black powder-coated (with foamed seal)	1000-U223-G	1000-U224-G	1000-U221-G	1000-U222-G	1000-U219-G	1000-U220-G	-	-
Polyamide GF V0 black	1000-U155	-	-	-	1000-U46	-	-	-
Polyamide GF V0 black (with foamed seal)	1000-U155-G	-	-	-	on request	-	-	-
Stainless steel AISI 303 (with foamed seal)	1000-U134	-	-	-	-	-	-	-
Stainless steel AISI 316 (with foamed seal)	1000-U530	-	-	-	-	-	-	-

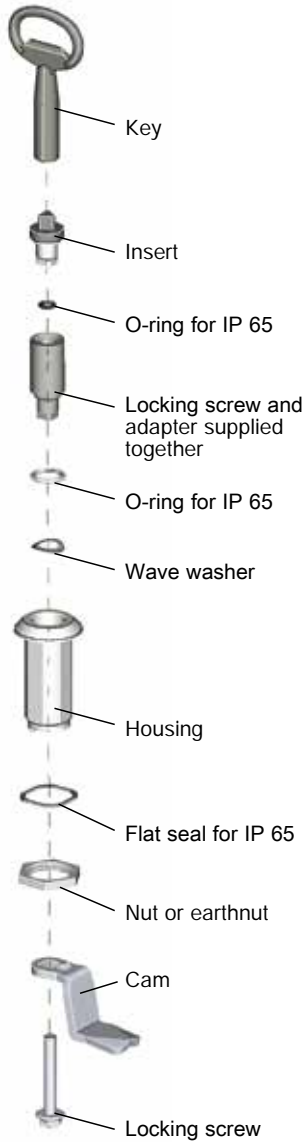
Insert zinc die, polyamide or stainless steel;
Fixing material m.s. zinc plated or stainless steel;
with seal (only for stainless steel version)

	Zinc die chrome plated	Zinc die black powder-coated	Polyamide 66 GF 50 black	Stainless steel AISI 303	Stainl.steel AISI 316
Square 6	1000-U17	1000-U322	-	1000-U351	-
Square 7	1000-U1	1000-U323	1000-U184-N	1000-U135	1000-U531
Square 8	1000-U2	1000-U324	1000-U185-N	1000-U136	1000-U532
Square 8 slotted	1000-U18	-	-	1000-U352	-
Triangular 6.5 CNOMO	1000-U197	-	-	-	-
Triangular 7	1000-U3	1000-U325	-	1000-U334	1000-U536
Triangular 8	1000-U4	1000-U326	1000-U186-N	1000-U335	1000-U537
Triangular 9	1000-U194	-	-	-	-
Triangular 10	1000-U249	-	-	-	-
Double bit 3	1000-U5	1000-U327	1000-U187-N	1000-U183	1000-U533
Double bit 5	1000-U6	1000-U328	1000-U188-N	1000-U137	1000-U534
Hexagon female 10mm	1000-U96	-	-	-	-
Square female 6mm	1000-U168	-	-	-	-
Square female 7mm	1000-U182	-	-	-	-
Square female 8	1000-U169	-	-	-	-
Daimler Benz	1000-U20	-	-	-	-
Slot 1.2 x 3	1000-U195	-	-	-	-
Slot 2x4	1000-U142	1000-U329	1000-U196-N	1000-U630	1000-U631
Slot 2 x 4 coinproof	1000-U738	1000-U739	-	-	-
Crown type	1000-U336	-	-	-	-
Eastern Europe Ø 13	1000-U509	-	-	1000-U729	-
Hexagon female 8 with pin	1000-U757	-	-	1000-U757-01	-
Star handle	-	-	Zinc die/ polyamide black	Polyamide GF black / AISI 303	-
Wing knob	-	-	1000-U13	1000-U138	-
Wing knob	-	-	1000-U78	1000-U510	-



GH	Ts
30 mm	1.5 up to 20 mm
36 mm	1.5 up to 26 mm
40 mm	1.5 up to 30 mm
50 mm	1.5 up to 40 mm
60 mm	1.5 up to 50 mm

Assembling instruction



IP 65 achieved by:	
** ** flat seal	1000-23
** O-ring	1000-24
IP 66 achieved by:	
Seal set	1000-U769
IP 69K achieved by:	
* Seal set	1000-U841
Assembly on request:	
without O-ring	1000-990
with O-ring	1000-991

Housing material on choice; nut or earthnut m.s. zinc plated or nut stainless steel Adapter zinc die or AISI 303; screw m.s. zinc plated or stainless steel						
GH in mm	Zinc die chrome plated		Zinc die black powder-coated		polyamide black	AISI 316
	Nut	Earthnut	Nut	Earthnut	Nut	Nut
30	1000-U51	1000-U65	1000-U225	1000-U226	1000-U876	1000-U878
- adapter			1000-U164			1000-U879
36	1000-U246	1000-U248	1000-U317	1000-U318	-	-
- adapter			1000-U198			-
40	1000-U66	1000-U67	1000-U227	1000-U228	1000-U737	-
- adapter			1000-U165			-
50	1000-U68	1000-U69	1000-U229	1000-U230	1000-U736	-
- adapter			1000-U166			-
60	1000-U504	1000-U505	1000-U506	1000-U507	-	-
- adapter			1000-U535			-

** included in case of stainless st. version

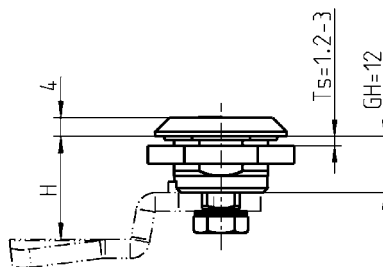
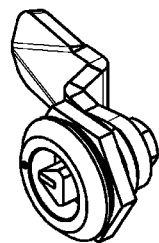
* Seal set only completely assembled with housing, insert and cam available

Further parts see page

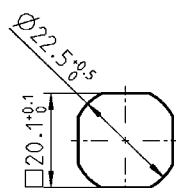
- Cam with catch B1-530
- Dust cap B1-510
- Key B1-570

Quarter turn with marking; Quarter turn railway version in conformity with RIC with marking

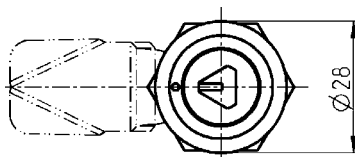
PROGRAM 1000



for stainless steel version



Cut out



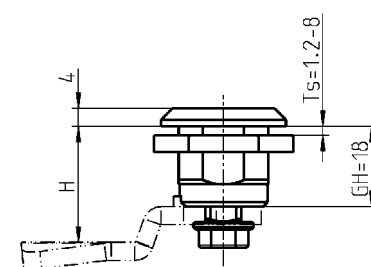
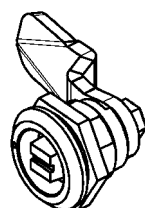
Further parts see page

- Cam with catch B1-530
- Dust cap B1-510
- Key B1-570

Quarter turn with marking
Housing, insert and nut AISI 303; Screw AISI 308; with seal

Triangular 8, LH version

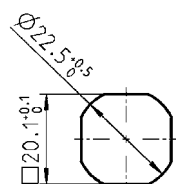
1000-SU125



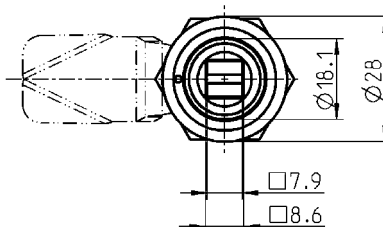
for stainless steel version



RH version



Cut out



LH version

Quarter turn railway version in conformity with RIC with marking
Housing, insert railway and nut AISI 303; screw AISI 308; with seal

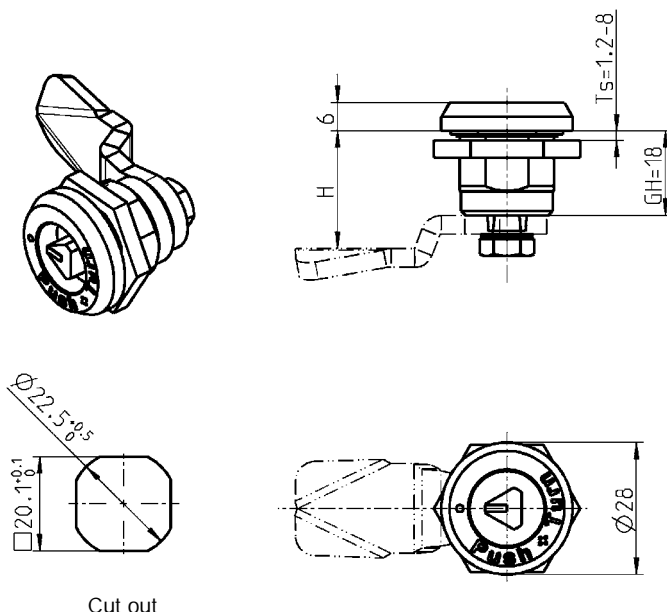
Further parts see page

- Cam with catch B1-530
- Dust cap B1-510
- Key B1-570

	LH version	RH version
	1000-SU209-LI	1000-SU209-RE

Safety quarter turn with marking; Safety quarter turn railway version in conformity with RIC

PROGRAM 1000



Cut out



for stainless steel version



This lock is of a vibration proof design. Depending on the installation location and the operational conditions, specific tests and/or supplementary measures of fastening are necessary.

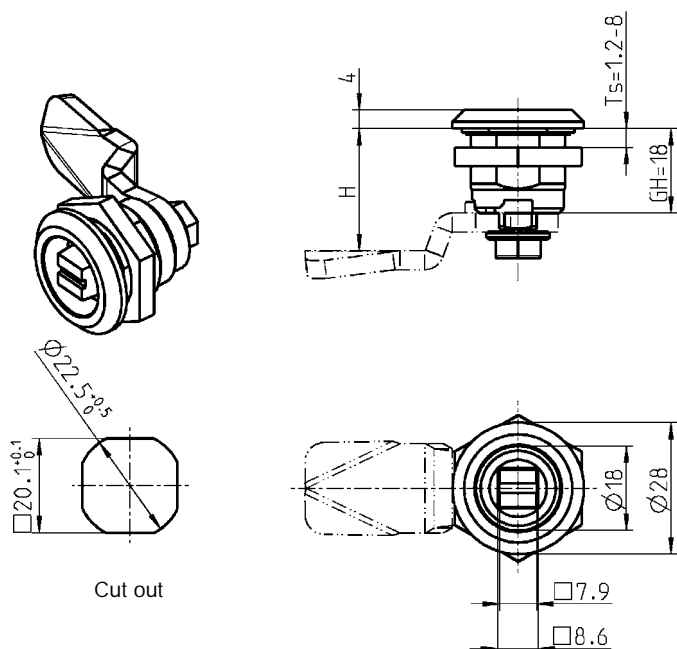
Safety quarter turn with marking
 Housing and insert **AISI 316**; nut **AISI 303**; Screw **AISI 308**;
 with spring and seal;
 inscription on the housing is pad printed

Triangular 8

1000-SU51

Further parts see page

- Cam without catch B1-530
- Dust cap B1-510
- Key B1-570



Cut out



for stainless steel version



This lock is of a vibration proof design. Depending on the installation location and the operational conditions, specific tests and/or supplementary measures of fastening are necessary.

Safety quarter turn railway version in conformity with RIC
 Housing and insert **AISI 304**; nut **AISI 303**; screw **AISI 308**;
 with spring and seal

Insert ferroviaria

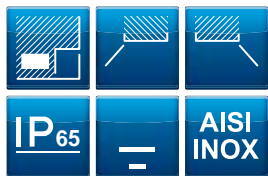
1000-SU821

Further parts see page

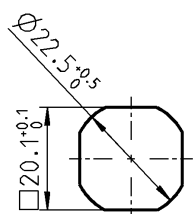
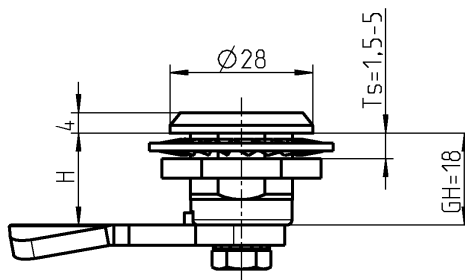
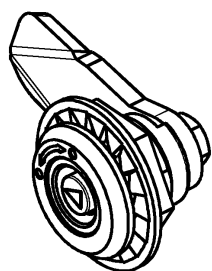
- Cam with catch B1-530
- Dust cap B1-510
- Key B1-570

Quarter turn with tube socket and marking

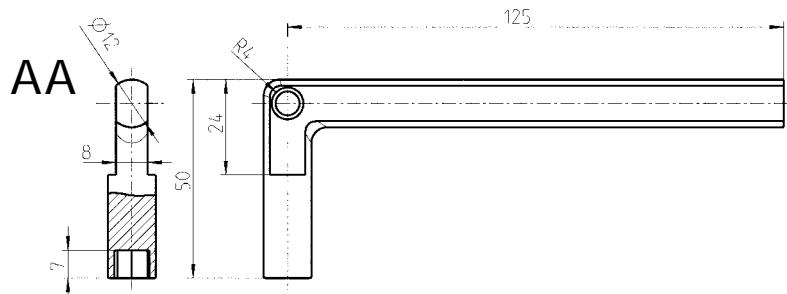
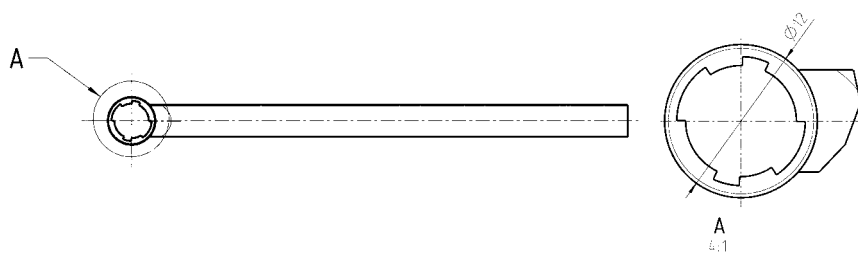
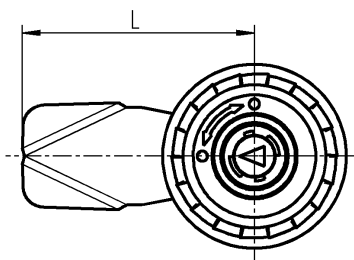
PROGRAM 1000



for stainless steel version



Cut out



Quarter turn with tube socket and marking

Housing, insert railway and nut AISI 303; screw AISI 308; with seal

	LH version	RH version
	1000-SU951-LI	1000-SU951-RE
Tube key AISI 316		
		1004-S123

Further parts see page

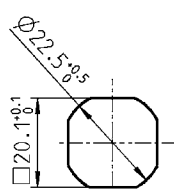
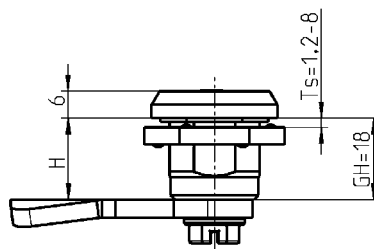
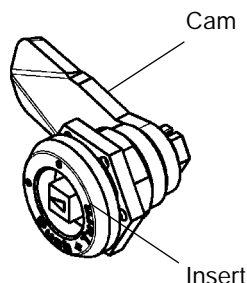
- Cam with catch
- Dust cap

B1-530
B1-510

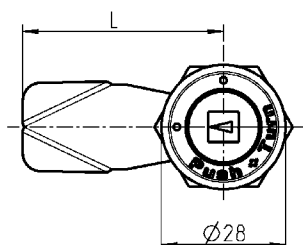


Tamper and vibration proof

This lock is of a vibration proof design. Depending on the installation location and the operational conditions, specific tests and/or supplementary measures of fastening are necessary.



Cut out



for stainless steel version



Housing and insert material of your choice, mask zinc die raw, screw and earthnut m.s. zinc plated and/or screw and nut stainless steel, with spring and seal

	① Zinc die zinc plated housing labeling is immersed	② AISI 316 housing labeling is pad printed
Square 6	on request	1000-U817-01PH
Square 7	1000-U817-02IA	on request
Square 8	1000-U817-03IA	1000-U817-03PH
Square 8 slotted	on request	on request
Triangular 6.5 CNOMO	on request	on request
Triangular 7	1000-U817-04IA	on request
Triangular 8	1000-U817-05IA	1000-U817-05PH
Triangular 9	on request	on request
Triangular 10	on request	1000-U817-07PH
Double bit 3	1000-U817-08IA	on request
Double bit 5	on request	on request
Hexagon female 8	on request	1000-U817-24PH
Hexagon female 10mm	on request	on request
Square female 6mm	on request	on request
Square female 7mm	on request	on request
Square female 8	on request	on request
Slot 1.2 x 3	1000-U817-16IA	on request
Slot 2x4	1000-U817-17IA	on request
Slot 2 x 4 coinproof	on request	on request
Crown type	on request	on request
Eastern Europe Ø 13	on request	on request
Hexagon female 8mm with pin	on request	on request
Insert ferroviaire	1000-U817-23IA	1000-U817-23PH

Press down insert and turn quarter turn!

Note
Only cams without a stop can be used
The H-dimension will be reduced by 2 mm if the opening handle is installed

Insert ferroviaire in conformity with RIC.

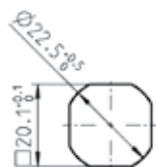
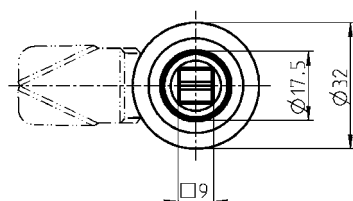
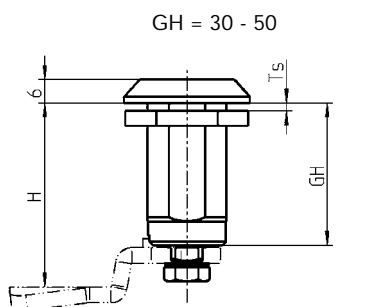
On request:
– Further inserts

Further parts see page
– Cam without catch
– Dust cap
– Key

B1-530
B1-510
B1-570

Quarter turn railway version in conformity with RIC

PROGRAM 1000



Cut out



for stainless steel version



Quarter turn railway version in conformity with RIC
Housing and insert ferroviaire material acc. to customer's specifications;
nut, screw and earth nut m. s. zinc plated resp. AISI 303

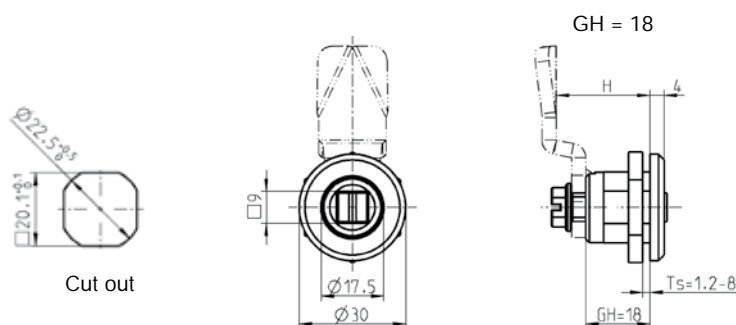
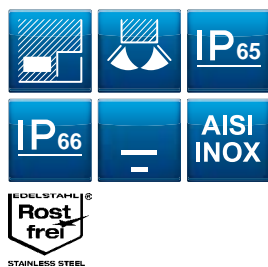
GH = 30; Ts = 1.5 - 20	Housing zinc die chrome plated	Housing zinc die black powder coated	Housing AISI 304
Insert m.s. zinc plated	on request	on request	-
Insert AISI 303	-	-	1000-SU543-PF
GH = 36; Ts = 1.5 - 26; with nut			
Insert m.s. zinc plated	on request	on request	-
Insert AISI 303	-	-	1000-SU543-01PF
GH = 40; Ts = 1.5 - 30; with nut			
Insert m.s. zinc plated	on request	on request	-
Insert AISI 303	-	-	on request
GH = 50; Ts = 1.5 - 40; with nut			
Insert m.s. zinc plated	on request	on request	-
Insert AISI 303	-	-	on request
IP 65 achieved by:			
** flat seal			1000-23
O-ring			1000-24
IP 66 achieved by:			
Seal set			1000-U769
Assembly on request:			
without O-ring			1000-990
with O-ring			1000-991

Further parts see page
 - Cam with catch
 - Dust cap
 - Key

B1-530
 B1-510
 B1-570

Quarter turn railway version in conformity with RIC; Quarter turn railway

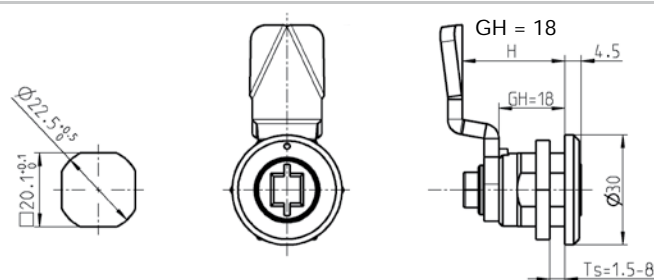
PROGRAM 1000



Quarter turn railway version in conformity with RIC
Housing and insert ferroviaria material acc. to customer's specifications;
nut, screw and earth nut m. s. zinc plated resp. AISI 303

GH = 18; Ts = 1.5 - 8 with nut	Housing zinc die chrome plated	Housing zinc die black powder coated	Housing AISI 304
Insert m.s. zinc plated	1000-U431	1000-U432	-
Insert chrome plated zinc alloy	1000-U431-01	on request	-
Insert AISI 304	-	-	1000-U431-PF
GH = 18; Ts = 1.5 - 8 with earthnut			
Insert chrome plated zinc alloy	1000-U499	1000-U500	-
IP 65 achieved by:			
** flat seal			1000-23
O-ring			1000-24
IP 66 achieved by:			
Seal set			1000-U769
Assembly on request:			
without O-ring			1000-990
with O-ring			1000-991

Insert ferroviaria in conformity with RIC.



Quarter turn railway
Housing AISI 304 with formed seal;
insert railway with outer rack AISI 316;
screw and nut AISI 303

Order individually per quarter turn	Housing with PUR formed seal	1000-S1806-GPF
	Insert railway with outer rack	1000-S1719
	Screw	1000-277-01PI
	Nut	1000-02-PF
IP 65 achieved by:		
O-ring		1000-24
IP 66 achieved by:		
Seal set		1000-U769
Assembly on request:		
without O-ring		1000-990
with O-ring		1000-991

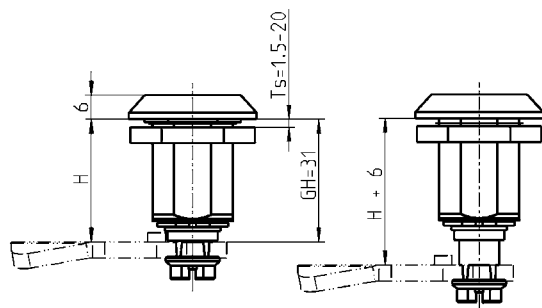


Further parts see page
- Cam with catch B1-530
- Dust cap B1-510
- Key B1-570

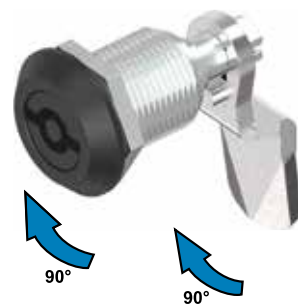


Tamper and vibration proof

The compression latch is designed to be vibration-proof as such. Depending on the installation location and the operational conditions, specific tests and/or supplementary measures of fastening are necessary.

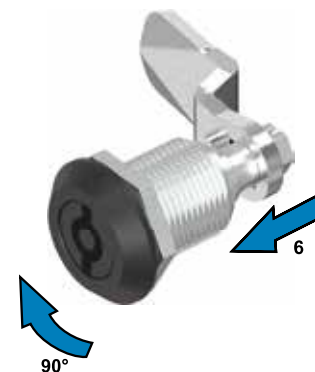
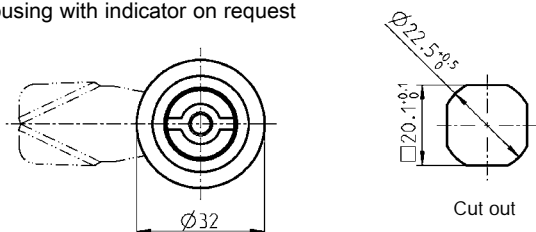


for stainless steel version



Open
By rotation of the operation of 90° the cam rotates.

Housing with indicator on request



Closed
By further rotation of the operation of 90° the cam moves 6 mm in axial direction.

Housing and insert zinc die black powder-coated or AISI 316; nut and screw m.s. zinc plated respektive stainless steel; with spring and seal

	Zinc die black powder-coated	AISI 316
Square 6 with arrow	on request	on request
Square 7 with arrow	1000-U796	on request
Square 8 with arrow	1000-U798	on request
Square 8 with indicator	on request	1000-U755-01
Triangular 6.5 CNOMO	on request	on request
Triangular 7	1000-U795	on request
Triangular 8	1000-U783	on request
Triangular 9	on request	on request
Triangular 10	on request	on request
Double bit 3	1000-U749	1000-U749-01
Double bit 5	1000-U748	1000-U748-01
Hexagon male SW 11.1 with marking	on request	on request
Hexagon female 8	1000-U807	on request
Hexagon female 8mm with pin	1000-U805	on request
Hexagon female 10mm	1000-U809	on request
Square female 6mm	on request	on request
Square female 7mm	on request	on request
Square female 8	1000-U811	on request
Slot 2x4	1000-U777	1000-U777-01
Slot 2 x 4 coinproof	on request	on request
Crown type	on request	on request
Insert ferroviaire	1000-U831	1000-U831-01
Tube with indicator	1000-U833	on request

Compressed

Open:
Reversed motion

Insert ferroviaire in conformity with RIC.

Note
Further inserts on request!

Further parts see page

- Cam with catch B1-530
- Dust cap B1-510
- Key B1-570

Stainless steel compression latch with indicator

PROGRAM 1000

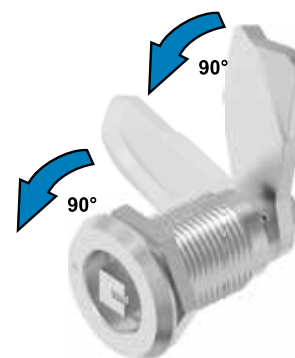


Tamper and vibration proof

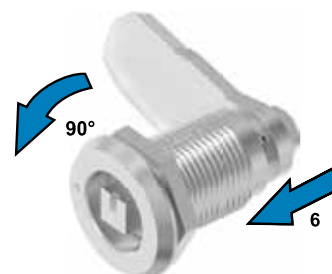
The compression latch is designed to be vibration-proof as such. Depending on the installation location and the operational conditions, specific tests and/or supplementary measures of fastening are necessary.



for stainless steel version



Open
By rotation of the operation of 90° the cam rotates.

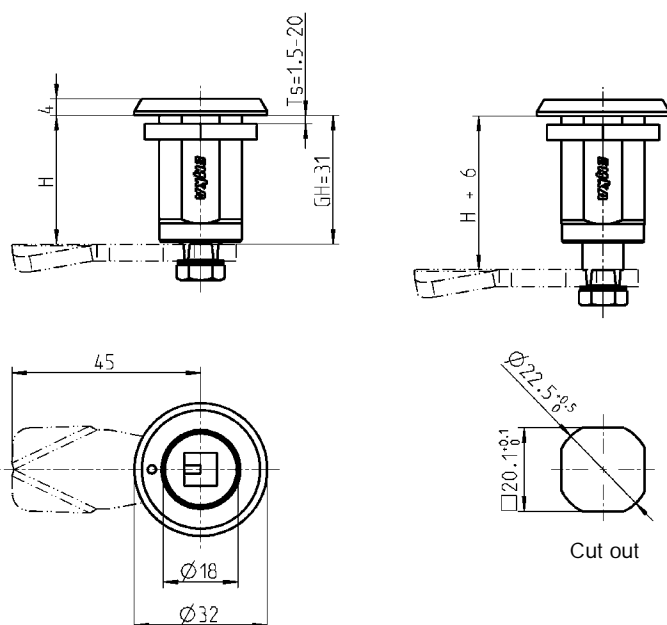


Closed
By further rotation of the operation of 90° the cam moves 6 mm in axial direction.



Compressed

Open:
Reversed motion



Stainless steel compression latch AISI 316, with spring and seal

	LH version	RH version
Square 7	1000-SU925-LIPH	1000-SU925-REPH
Square 8	1000-U865-LIPH	1000-U865-REPH
Square 9	1000-SU925-03LIPH	1000-SU925-03REPH
Triangular 7	1000-SU925-02LIPH	on request
Triangular 8	1000-SU925-01LIPH	1000-SU925-01REPH
Double bit 3	on request	on request
Double bit 5	on request	on request
Hexagon male 10 mm	1000-U869-LIPH	1000-U869-REPH
Slot 2x4	on request	on request
Insert ferroviaire	1000-U870-LIPH	1000-U870-REPH

Insert ferroviaire in conformity with RIC.

On request:
– Further inserts

Further parts see page
– Cam without catch
– Dust cap
– Key

B1-530
B1-510
B1-570

Stainless steel compression latch with indicator

PROGRAM 1000

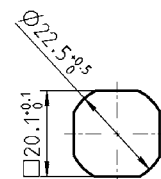
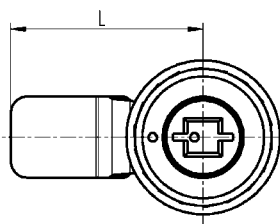
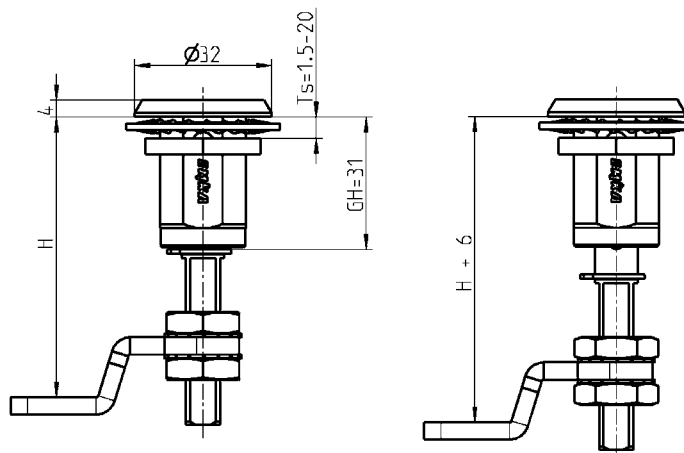


Tamper and vibration proof

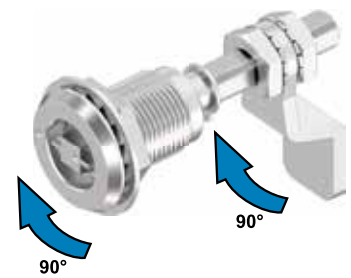
The compression latch is designed to be vibration-proof as such. Depending on the installation location and the operational conditions, specific tests and/or supplementary measures of fastening are necessary.



for stainless steel version

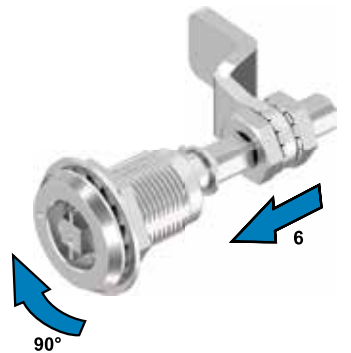


Cut out



Open

By rotation of the operation of 90° the cam rotates.



Closed

By further rotation of the operation of 90° the cam moves 6 mm in axial direction.



Compressed

Open:
Reversed motion

Stainless steel compression latch with indicator

Housing, insert railway with outer rack AISI 316;

shaft AISI 303;

serrated lock washer, screw, nuts and tooth lock washers AISI 316;

with spring and seal

On request:

– Further inserts

Further parts see page

- Cam without catch and without recess B1-540
- Dust cap B1-510
- Key B1-570

	LH version	RH version
	1000-SU215-01LIPH	1000-SU215-01REPH

Stainless steel compression latch railway version in conformity with RIC with marking

PROGRAM 1000

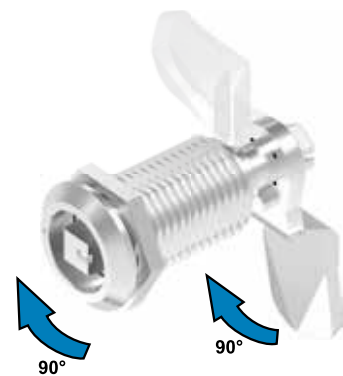


Tamper and vibration proof

The compression latch is designed to be vibration-proof as such. Depending on the installation location and the operational conditions, specific tests and/or supplementary measures of fastening are necessary.

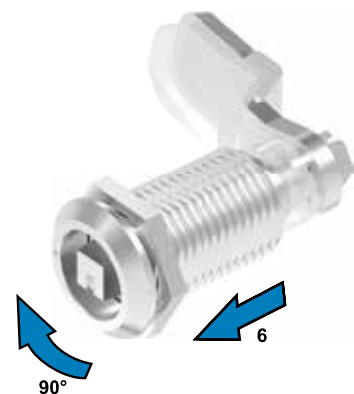
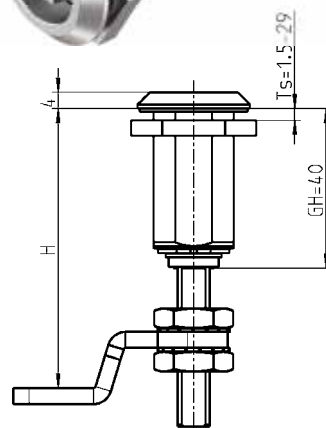


for stainless steel version



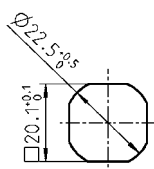
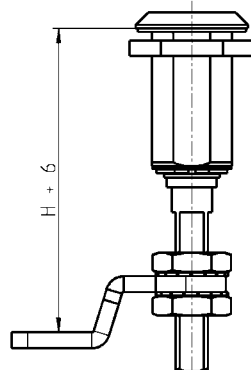
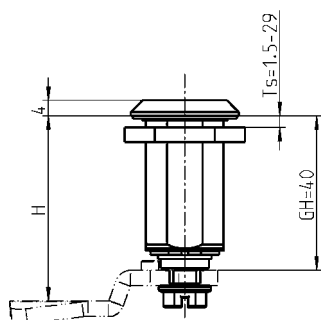
Open

By rotation of the operation of 90° the cam rotates.

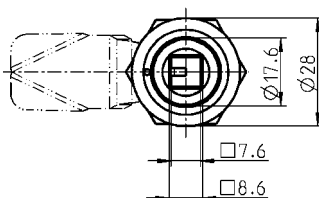


Closed

By further rotation of the operation of 90° the cam moves 6 mm in axial direction.



Cut out



Compressed

Open:
Reversed motion

Compression latch with indicator railway version in conformity with RIC
Housing and switch ring AISI 316; insert railway and spindle AISI 304; nut and screw AISI 316; with spring and seal

	short shaft	long shaft
Insert ferroviaire	1000-SU785	1000-SU785-02
Triangular 7	1000-SU785-01	on request
Triangular 8 with indicator	1000-SU785-04	on request
Square female 7.5 with 3 mm backset	1000-SU785-05	on request

Insert ferroviaire in conformity with RIC.

Further parts see page

- Cam with catch B1-530
- Dust cap B1-510
- Key B1-570

Stainless steel compression latch railway version in conformity with RIC with marking

PROGRAM 1000

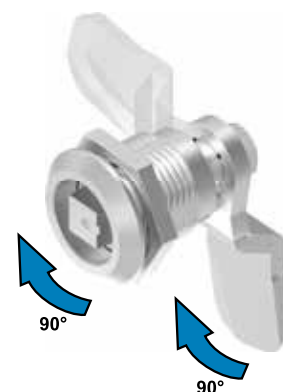


Tamper and vibration proof

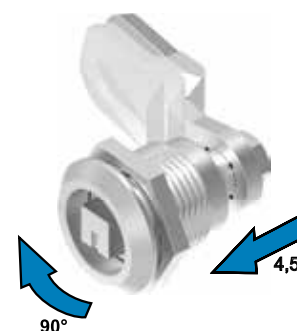
The compression latch is designed to be vibration-proof as such. Depending on the installation location and the operational conditions, specific tests and/or supplementary measures of fastening are necessary.



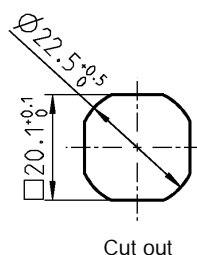
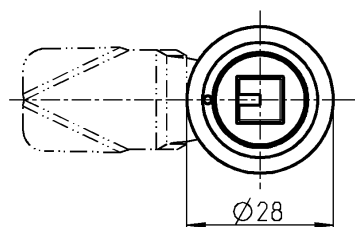
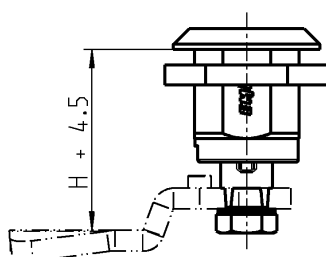
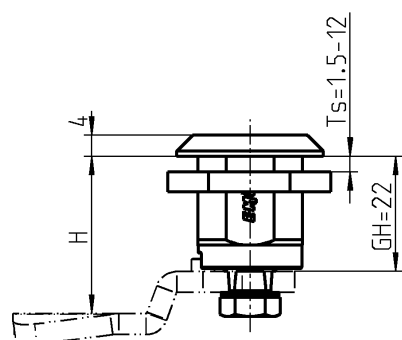
for stainless steel version



Open
By rotation of the operation of 90° the cam rotates.



Closed
By further rotation of the operation of 90° the cam moves 4.5 mm in axial direction.



Compressed
Open:
Reversed motion

Compression latch with indicator railway version in conformity with RIC
Housing, insert, spindle, nut and screw AISI 316;
with spring and seal

Insert ferroviaire	1000-SU751
Square 7.9 with cone 6.8	1000-SU751-01
Square female 7.5 with 3 mm backset	1000-SU751-05

Insert ferroviaire in conformity with RIC.

Further parts see page
– Cam with catch
– Dust cap
– Key

B1-530
B1-510
B1-570

Stainless steel compression latch with red - green indicator

PROGRAM 1000



Tamper and vibration proof

The compression latch is designed to be vibration-proof as such. Depending on the installation location and the operational conditions, specific tests and/or supplementary measures of fastening are necessary.



AISI 316 polished



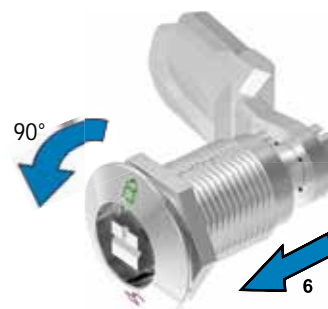
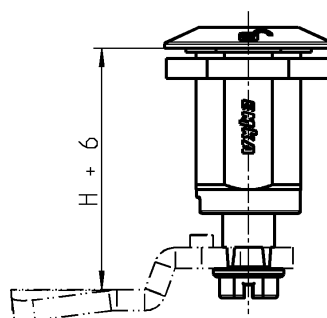
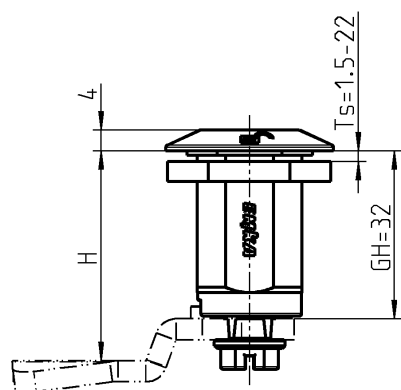
AISI 316 highly polished;



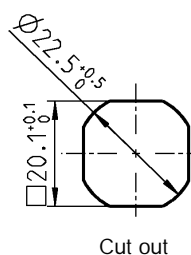
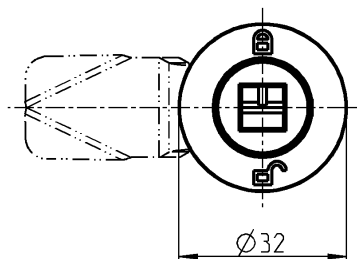
for stainless steel version



Open
By rotation of the operation of 90° the cam rotates.



Closed
By further rotation of the operation of 90° the cam moves 6 mm in axial direction.



Cut out



Compressed

Open:
Reversed motion

Stainless steel compression latch with red - green indicator
Housing AISI 316 with surface of your choice;
insert, spindle and nut AISI 316;
screw AISI 304; with spring and seal

Housing polished	LH version	RH version
Insert ferroviaire	1000-U890-LIPH	1000-U890-REPH
Hexagon male SW 11	1000-U891-LIPH	1000-U891-REPH
Housing highly polished		
Insert ferroviaire	1000-U890-01LIPH	1000-U890-01REPH
Hexagon male SW 11	1000-U891-01LIPH	1000-U891-01REPH

Further parts see page
– Cam with catch
– Dust cap
– Key

B1-530
B1-510
B1-570

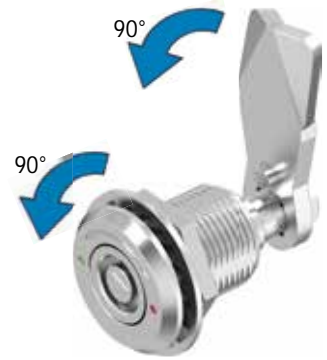
Stainless steel compression latch with tube and indicator

PROGRAM 1000



Tamper and vibration proof

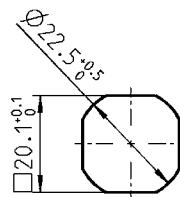
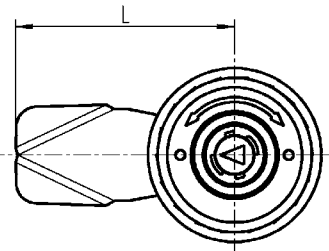
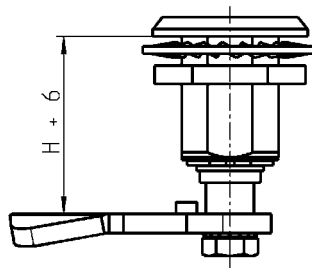
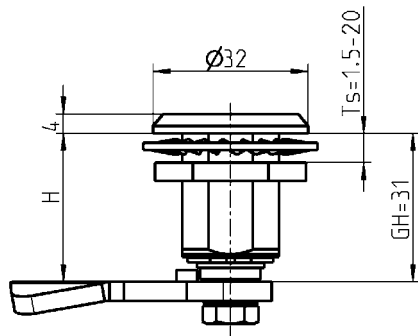
The compression latch is designed to be vibration-proof as such. Depending on the installation location and the operational conditions, specific tests and/or supplementary measures of fastening are necessary.



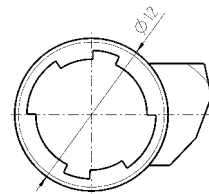
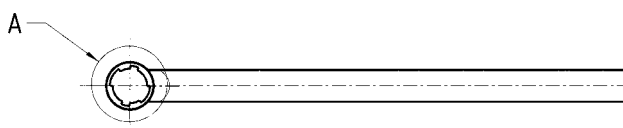
Open
By rotation of the operation of 90° the cam rotates.



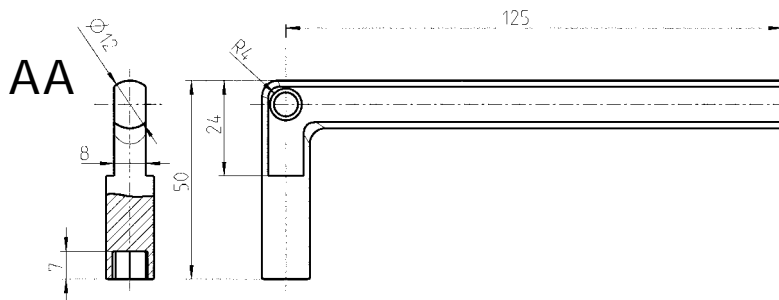
Closed
By further rotation of the operation of 90° the cam moves 6 mm in axial direction.



Cut out



A
4:1



Compressed
Open:
Reversed motion

Stainless steel compression latch with tube and indicator

Housing, insert, spindle, nut and screw AISI 316;
lock washer AISI 316; with spring and seal

	LH version	RH version
	1000-SU948-LI	1000-SU948-RE
Tube key AISI 316		
		1004-S123

Further parts see page
– Cam with catch
– Dust cap

B1-530
B1-510

Compression latch railway version in conformity with RIC with visual open indicator

PROGRAM 1000



Tamper and vibration proof

The compression latch is of vibration-proof design. Depending on the installation location and the operational conditions, specific tests and/or supplementary measures of fastening are necessary.

Using this compression latch in conjunction with the dust cap (catalogue page B1-510) offers a further safety aspect to indicate the open status of the latch:

Additionally, when the lock is open and the red ring visible, the dust cap cannot be locked and remains open.



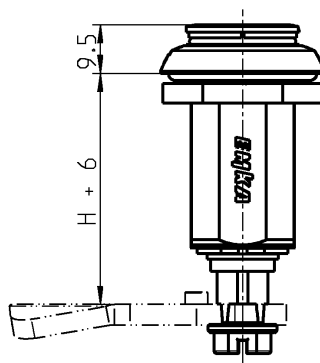
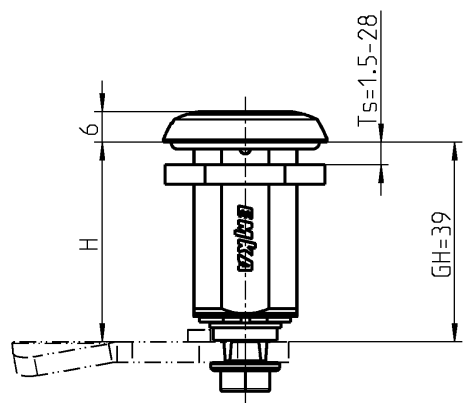
Open
By rotation of the operation of 90° the cam rotates.



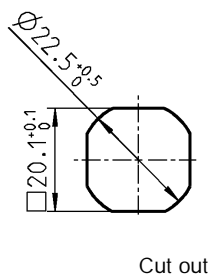
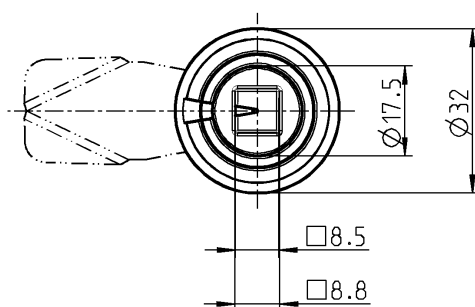
Compressed



Open



Closed
By further rotation of the operation of 90° the cam moves 6 mm in axial direction.



Cut out



Compressed

Open:
Reversed motion

Compression latch railway version in conformity with RIC with visual open indicator
Housing and insert zinc die, surface of your choice, signal-ring red polyamide GF, nut and screw m.s. zinc plated, with spring and seal

	black	chrome
Insert ferroviaire	1000-U848	1000-U848-IA

Insert ferroviaire in conformity with RIC.

Further parts see page

- Cam with catch B1-530
- Dust cap B1-510
- Key B1-570

Compression latch with optical opening indicator

PROGRAM 1500



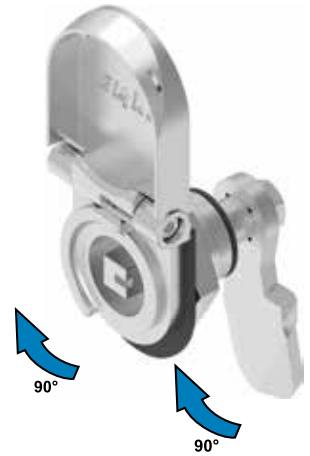
Tamper and vibration proof

The compression latch is designed to be vibration-proof as such. Depending on the installation location and the operational conditions, specific tests and/or supplementary measures of fastening are necessary.

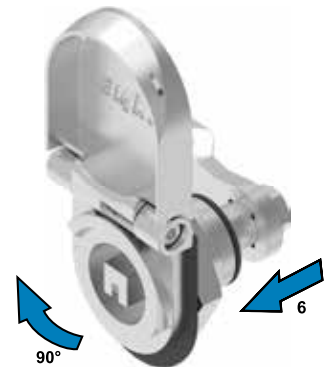


Product benefits

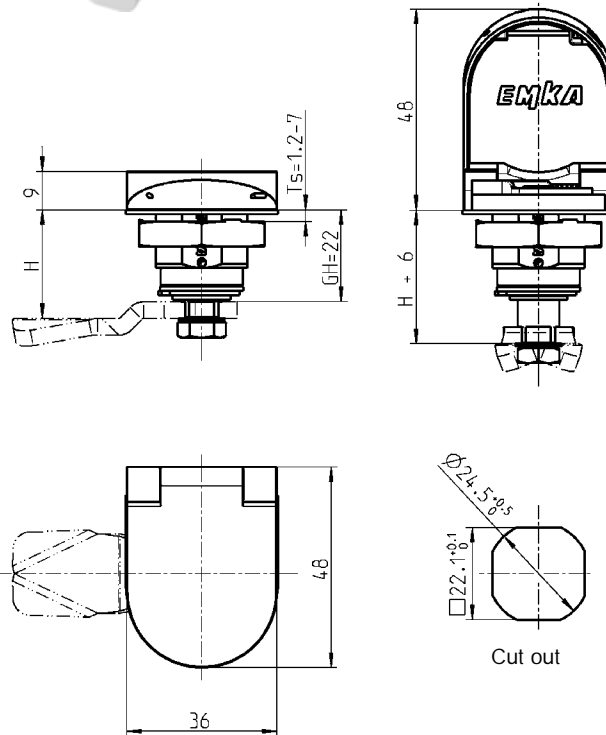
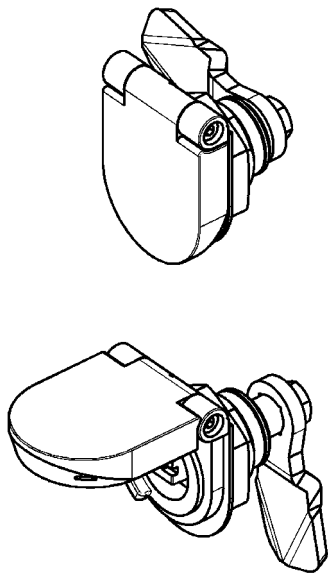
- Visual opening indicator clearly visible due to 90° open flap when uncompressed
- The flap closes automatically when compressed
- Integrated dust cap
- The flat seal cushions the flap and prevents damages to the door
- Standard cut out program 1500
- Patented



Open
By rotation of the operation of 90° the cam rotates.



Closed
By further rotation of the operation of 90° the cam moves 6 mm in axial direction.



Compressed
Open:
Reversed motion

Compression latch with visual opening indicator AISI 316;
nut and earth nut AISI 316;
screw and lock washer stainless steel; with spring and seal

Square 8 with indicator

1500-U776-LIPH

Further parts see page
– Cam without catch
– Key

B1-530
B1-570

Notes

Quarter turn railway version in conformity with RIC for outside the gasketing

PROGRAM 1000



STAINLESS STEEL

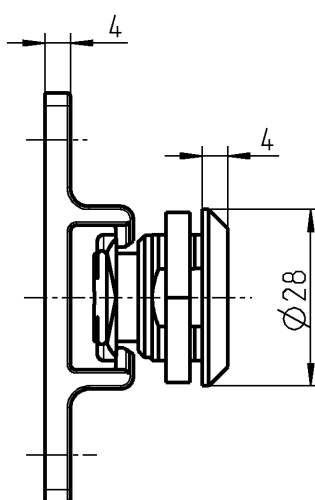
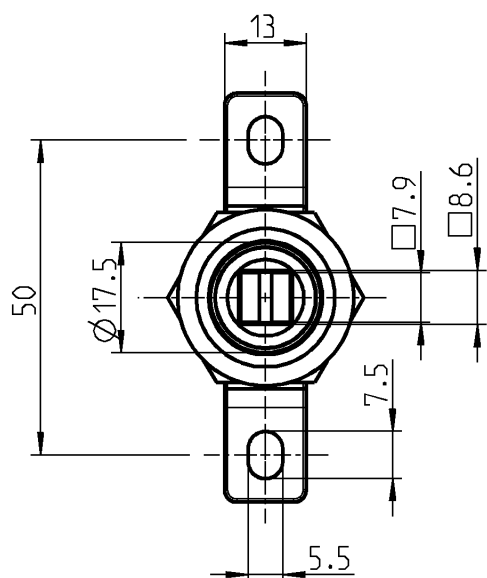
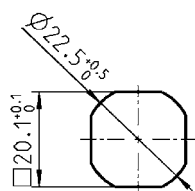
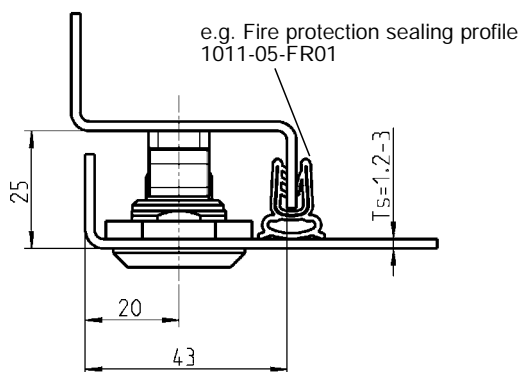


Illustration with quarter turn 1000-SU560



Cut out



Note
Catch and cam can also be combined with other types of quarter turns or compression latch.

Quarter turn railway version in conformity with RIC for outside the gasketing
Housing and insert railway version AISI 303; catch and cam material of your choice;
nut AISI 316Ti; screw AISI 308; with seal

Insert ferroviaire		1000-SU560
Cam	GD-Zn	AISI 316
	1210-08-KA	1210-08-PH
Catch	Zinc die black powder-coated	AISI 316
	1210-09-AA	1210-09-PH

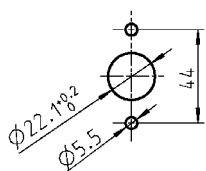
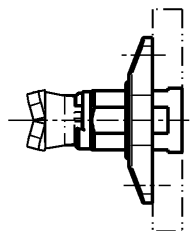
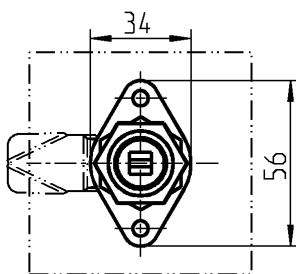
Insert ferroviaire in conformity with RIC.

Further parts see page
- Key

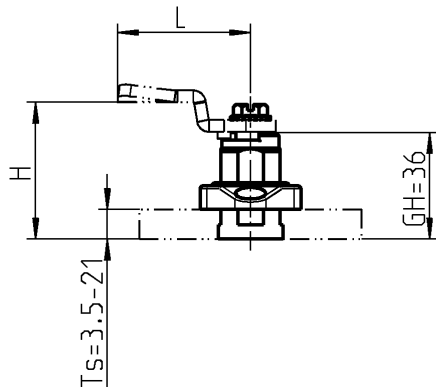
B1-570

Quarter turn for flush mounting

PROGRAM 1057



Cut out



On request:
– Further inserts

Quarter turn for flush mounting
housing and insert squart 8 zinc die chrome-plated; anti-twist guard AISI 304;
nut and screw m.s. zinc-plated; with seal

Further parts see page
– Cam with catch
– Key

1057-U3

B1-530
B1-540

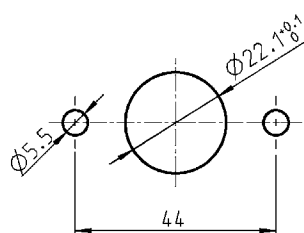
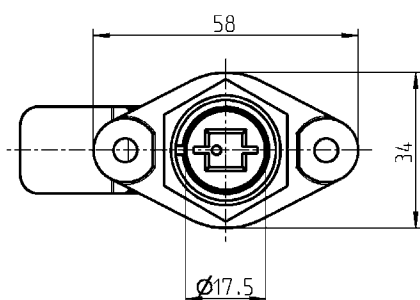
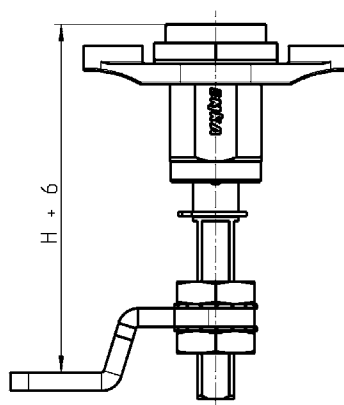
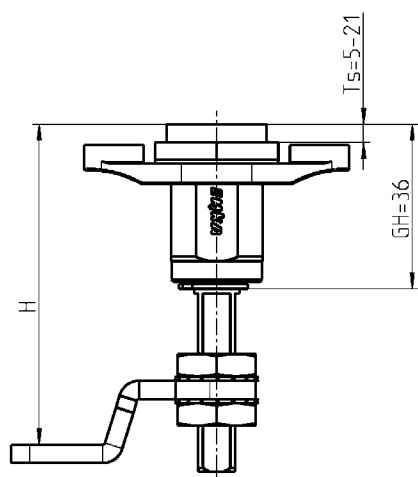
Stainless steel compression latch for flush mounting with indicator

PROGRAM 1000



Tamper and vibration proof

The compression latch is designed to be vibration-proof as such. Depending on the installation location and the operational conditions, specific tests and/or supplementary measures of fastening are necessary.



Cut out

Stainless steel compression latch with indicator
Housing, insert railway with outer rack AISI 316;
shaft AISI 303;
nuts and tooth lock washers AISI 316;
with spring and seal

On request:
– Further inserts

Further parts see page
– Cam without catch and without recess B1-540
– Dust cap B1-510
– Key B1-570

	LH version	RH version
	1000-SU215-LIPH	1000-SU215-REPH

Stainless steel safety quarter turn with optical opening indicator and marking

PROGRAM 1000

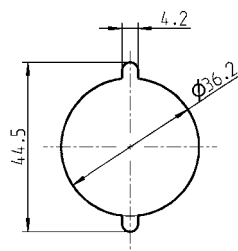
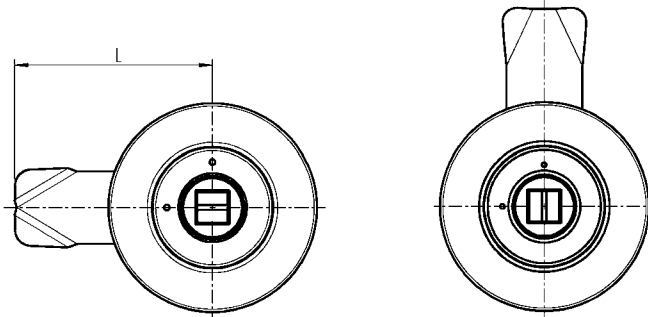
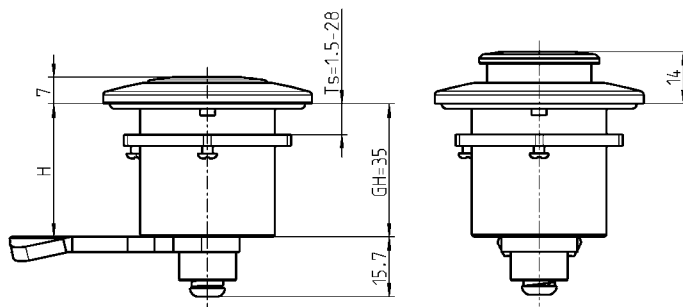


Tamper and vibration proof

This lock is of a vibration proof design. Depending on the installation location and the operational conditions, specific tests and/or supplementary measures of fastening are necessary.



Opening process
Plug in fitting key and push in insert. By turning the key by 90°, the cam rotates and the opening indicator will pop out.



Cut out



Locking process
Plug in fitting key and push in opening indicator. By turning the key by 90°, the cam rotates.

Stainless steel safety quarter turn with optical opening indicator and marking
Housing and opening indicator AISI 316 matt blasted, with red - green marking;
insert and nut AISI 316;
screw AISI 304; with spring and seal.

	LH version	RH version
Insert ferroviaire	1000-SU610-LI	1000-SU610-RE

Further parts see page
– Cam without catch
– Key

B1-530
B1-570

Cover lid for latches integrated into the ground.

PROGRAM 1000



STAINLESS STEEL



Application

For coverage of latches integrated into the ground. The cover lid prohibits the infiltration of dirt and moisture into the insert area.



Note

The cover lid can only be used for latches for the following inserts of the programm 1000:

- Square 6
- Square 7
- Square 8
- Square 8 slotted
- Railway
- Railway with outer rack
- Triangular 6.5 CNOMO
- Triangular 7
- Triangular 8
- Triangular 9
- Triangular 10
- Hexagon head

Cover lid AISI 316; with O-ring

on request

Dust cap for high-speed trains

PROGRAM 1000



When combined use of dust cap 1000-97-02 and compression quarter turn with optical open indication (catalogue page B1-290) an additional safety aspect is achieved.



In addition to the clearly visible red ring the dust cap 1000-97-02 cannot be closed and is thus open.



Note

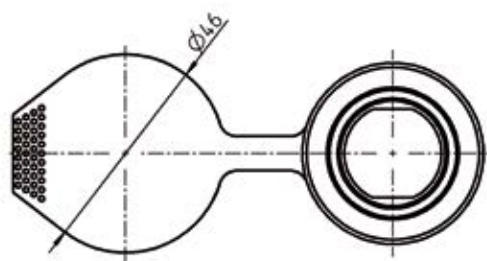
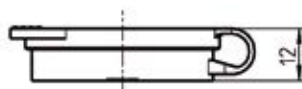
The dust cap 1000-97-02 was successfully tested by the Technical University of Dresden with respect to high-speed resistant class up to 450 km/h.

Attention:

The H-dimension will be reduced by 2 mm when this dust cap is installed.

Further parts see page

– Quarter turn	from	B1-120
	to	B1-200
– Compression latch	from	B1-210
	to	B1-310



Dust cap

thermoplastic elastomer, UV resistant, black

1000-97-02

polyethylene black

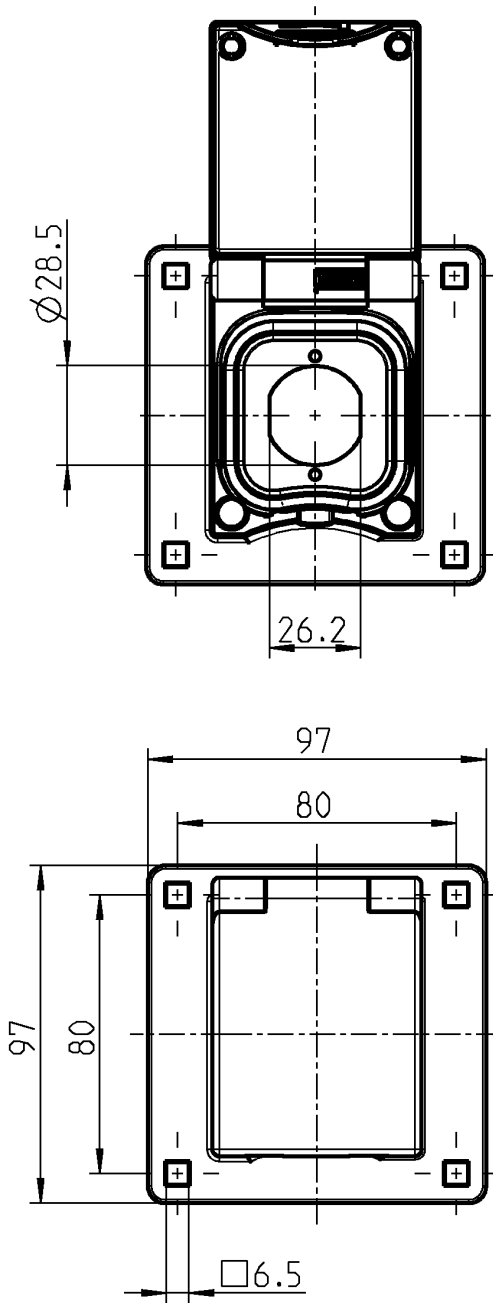
1000-97-01

Escutcheon with cover

PROGRAM 1018



Flap spring-loaded



IP66 is achieved by pressing the flap into the latching

Escutcheon with cover AISI 316;
with spring and seal

1018-SU1

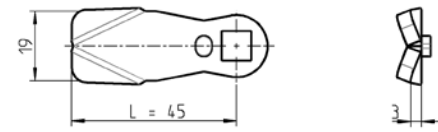
Cam designed for quarter turn

PROGRAM 1000



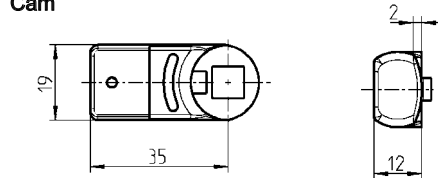
Version 1

Cam



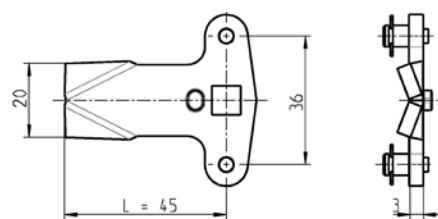
Version 2

Cam



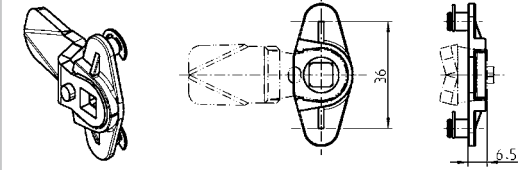
Version 3

Cam with rod control



Version 4

Rod control for steel cam or stainless steel cam



Rod control zinc die, zinc plated, circlip m.s. zinc plated

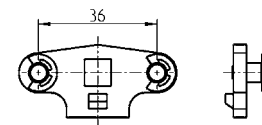
1000-U776

Rod control AISI 316, circlip stainless steel

1000-U776-PH

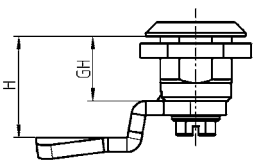
Version 5

Rod control



2-point rod control, m.s. zinc pl.

1000-U167



Cam with catch material as requested

H dimensions for GH =

	12	18	22	28	30	31	36	39	40	50	60	Version 1	
												L = 45	
												m.s. zinc pl.	
	-	4	8	14	16	17	22	25	26	36	46	1000-112	
	-	6	10	16	18	19	24	27	28	38	48	1000-22	
	2	8	12	18	20	21	26	29	30	40	50	1000-113	
	4	10	14	20	22	23	28	31	32	42	52	1000-21	
	7	13	17	23	25	26	31	34	35	45	55	1000-20	
	8	14	18	24	26	27	32	35	36	46	56	1000-19	
	9	15	19	25	27	28	33	36	37	47	57	-	
	10	16	20	26	28	29	34	37	38	48	58	1000-18	
minus offset	12	18	22	28	30	31	36	39	40	50	60	1000-17	
straight version	14	20	24	30	32	33	38	41	42	52	62	1000-16	
plus offset	16	22	26	32	34	35	40	43	44	54	64	1000-15	
	18	24	28	34	36	37	42	45	46	56	66	1000-14	
	19	25	29	35	37	38	43	46	47	57	67	1000-27	
	20	26	30	36	38	39	44	47	48	58	68	1000-50	
	22	28	32	38	40	41	46	49	50	60	70	1000-13	
	24	30	34	40	42	43	48	51	52	62	72	1000-28	
	26	32	36	42	44	45	50	53	54	64	74	1000-26	
	28	34	38	44	46	46	52	55	56	66	76	1000-12	
	29	35	39	45	47	48	53	56	57	67	77	1000-11	
	30	36	40	46	48	49	54	57	58	68	78	1000-51	
	32	38	42	48	50	51	56	59	60	70	80	1000-52	
	34	40	44	50	52	53	58	61	62	72	82	1000-25	
	36	42	46	52	54	55	60	63	64	74	84	1000-53	
	38	44	48	54	56	57	62	65	66	76	86	1000-54	
	39	45	49	55	57	58	63	66	67	77	87	1000-10	
	41	47	51	57	59	60	65	68	69	79	89	1000-55	
	44	50	54	60	62	63	68	71	72	82	92	1000-56	



Cam with catch

Cam without catch
on request**Note**

This catalogue page does not show all available cams.

Other versions such as:

- Cam without catch
 - Cams with other H and L dimension
 - Cams with recess in the opposite direction
 - etc.
- please ask.

Version 1		Version 1		Version 2	Version 3
L ≙ 45 AISI 304	L ≙ 45 AISI 316	L ≙ 35 m.s. zinc pl.	L ≙ 35 polyamide black ①	Polyamide GF black	m.s. zinc pl.
-	-	-	-	-	1000-U63
1000-221	1000-221-PD	-	-	-	1000-U21
-	-	-	-	-	1000-U64
1000-223	1000-223-PD	-	-	-	1000-U22
-	-	-	-	-	1000-U23
1000-225	1000-225-PD	-	-	-	1000-U24
-	-	-	1000-5043-SI	-	-
-	-	-	-	-	1000-U25
1000-227	1000-227-PD	1000-5046	1000-5046-SI	1000-386-18	1000-U26
1000-228	1000-228-PD	1000-5161	-	1000-386-20	1000-U27
1000-179	1000-179-PD	1000-5119	-	1000-386-22	1000-U28
1000-229	1000-229-PD	-	-	1000-386-24	1000-U29
-	-	-	-	-	1000-U30
1000-230	1000-230-PD	-	-	-	1000-U31
1000-180	1000-180-PD	1000-5164	-	1000-386-28	1000-U32
-	-	-	-	1000-386-30	1000-U33
-	-	-	-	-	1000-U34
-	-	-	-	-	1000-U35
-	-	-	-	-	1000-U36
-	-	-	-	-	1000-U37
-	-	-	-	-	1000-U38
-	-	-	-	-	1000-U39
-	-	-	-	-	1000-U40
-	-	-	-	-	1000-U41
-	-	-	-	-	1000-U42
-	-	-	-	-	1000-U43
-	-	-	-	-	1000-U44

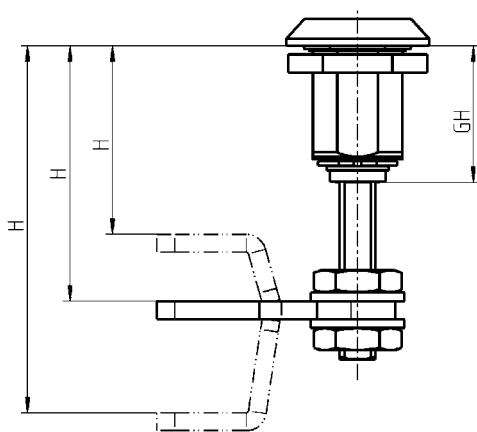
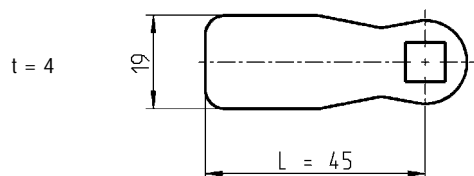
①
only for light doors and covers

Further parts see page
- Locks

B1-120
to B1-440

Cam without catch and without recess

PROGRAM 1000

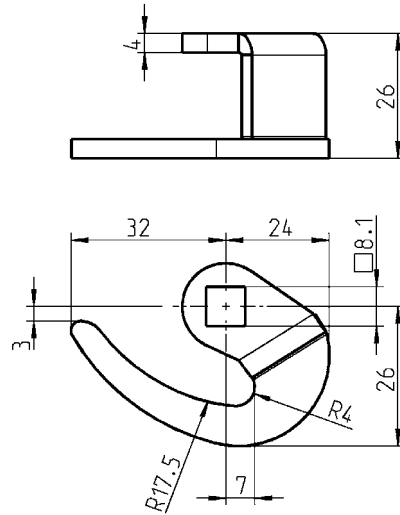
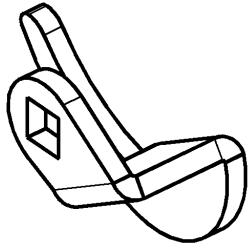


Cam m.s. zinc plated		
for GH ≙ 31	H	GH ≙ 31
straight	38 - 58	1000-476
offset +/- 14 mm	24 - 44 ; 52 - 72	1000-478
offset +/- 26 mm	12 - 32 ; 64 - 84	1000-477
for GH ≙ 45	H	GH ≙ 45
straight	52 - 72	1000-476
offset +/- 14 mm	38 - 58 ; 66 - 86	1000-478
offset +/- 26 mm	26 - 46 ; 78 - 98	1000-477
for GH ≙ 64	H	GH ≙ 64
straight	71 - 91	1000-476
offset +/- 14 mm	57 - 77 ; 85 - 105	1000-478
offset +/- 26 mm	45 - 65 ; 97 - 117	1000-477

On request:
– further cams

Further parts see page
– compression latches

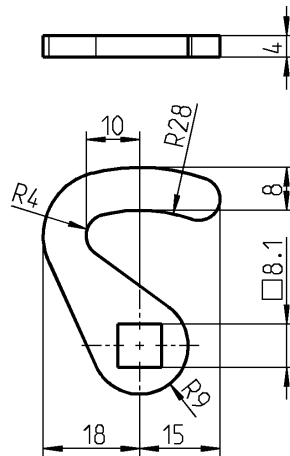
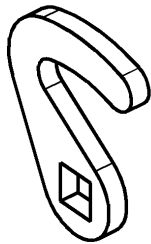
from B1-210
to B1-300



Hooked cam for desk lid, LH version

m.s. zinc pl.

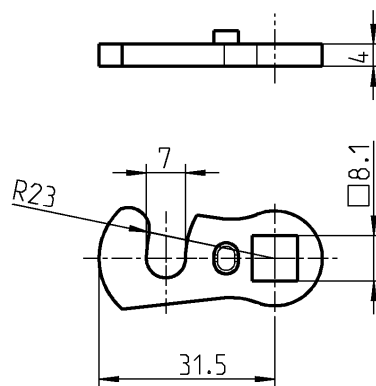
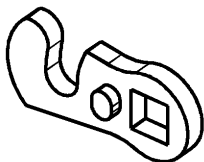
1000-91



Hooked cam, RH and LH version

m.s. zinc pl.

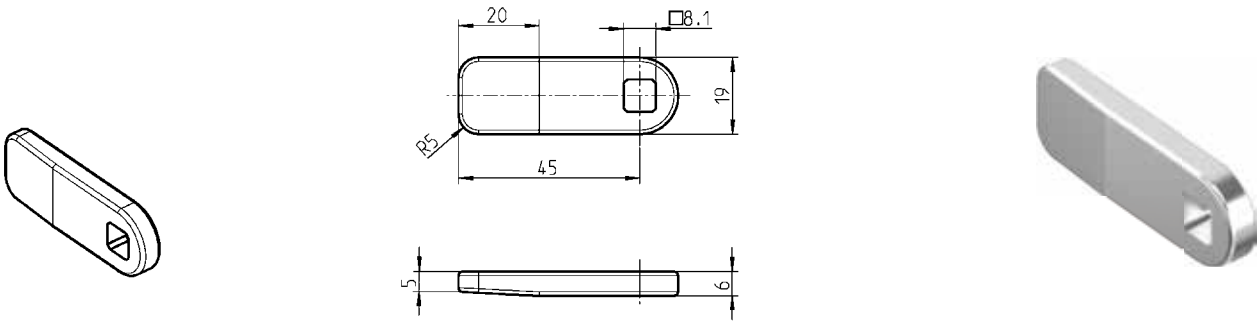
1000-93



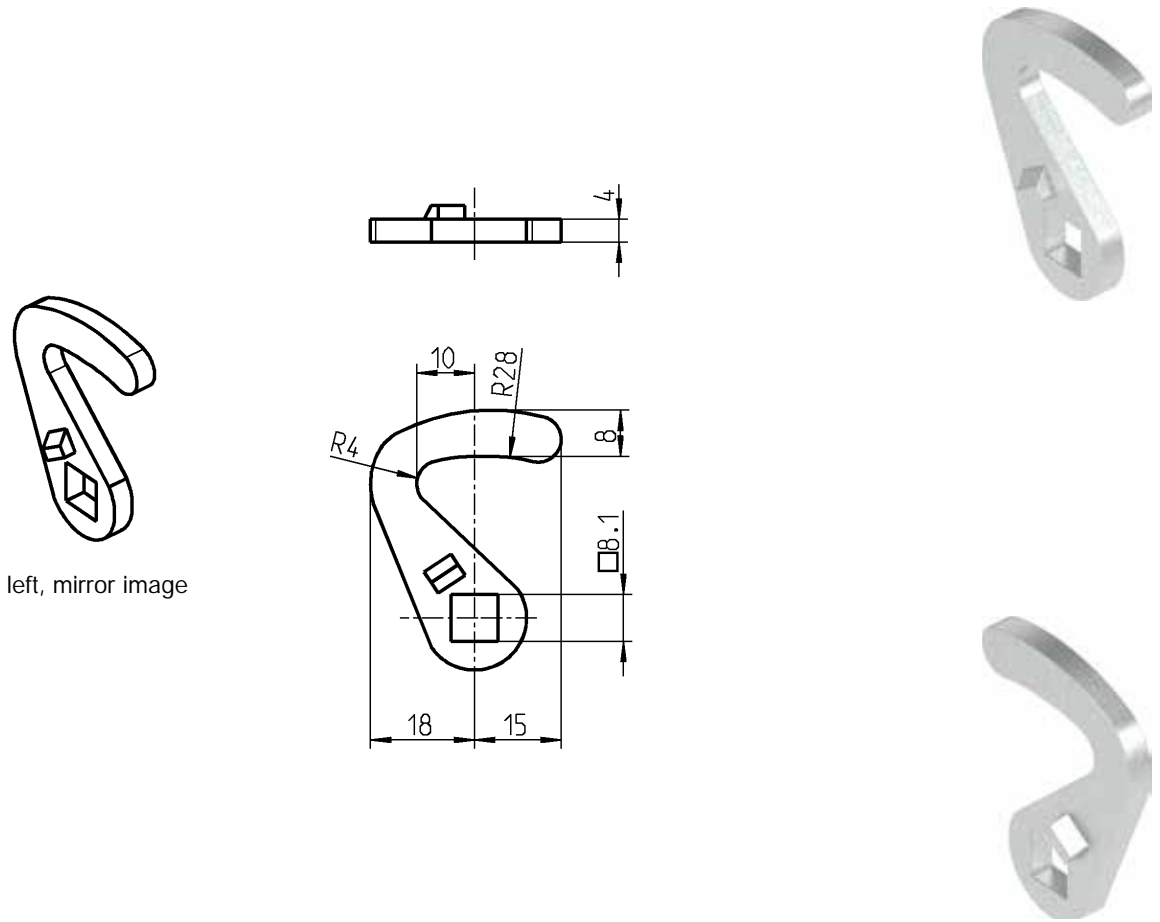
Hooked cam, LH version

m.s. zinc pl.

1000-61

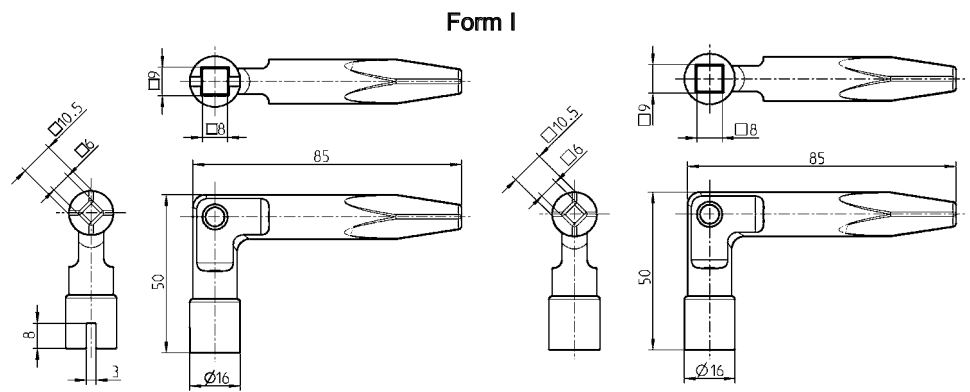
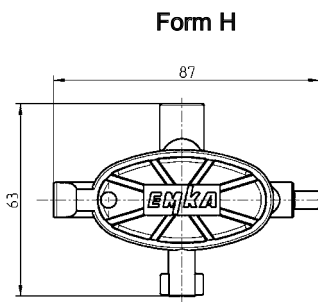
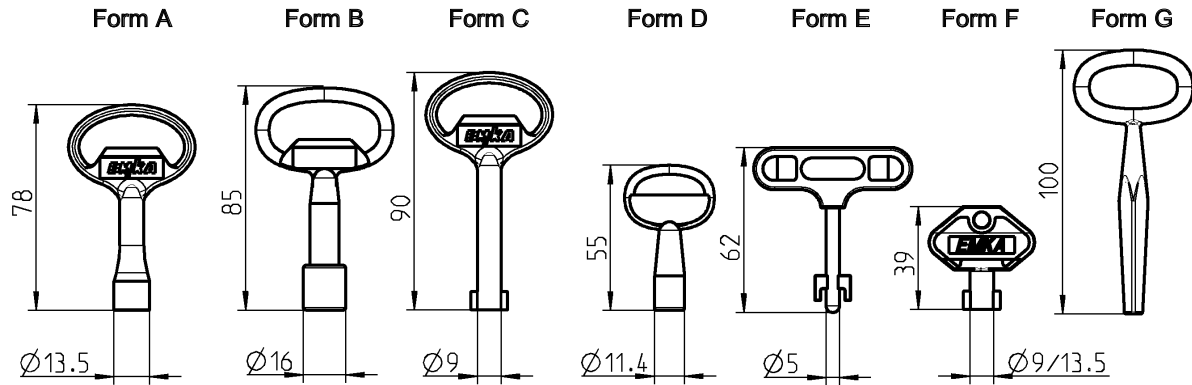


Cam for heavy loading AISI 316 1000-569-PH



left, mirror image

Hooked cam m.s. zinc plated		
	LH version	RH version
	1000-S880	1000-S881



Key form	A	B	C	D	E	F	G
	Zinc die black powder-coated	Zinc die black powder-coated	Zinc die black powder-coated	Zinc die black powder-coated	Zinc die/polyamide black	Polyamide GF black	GTW nickel
Square 6	1004-18	-	-	1004-20	-	1004-37	-
Square 7	1004-01	-	-	-	-	1004-36	-
Square 8	1004-02	-	-	-	-	1004-35	-
Triangular 6.5	-	-	-	1004-21	-	-	-
Triangular 6.5 CNOMO	1004-26	-	-	-	-	-	-
Triangular 7	1004-03	-	-	-	-	1004-39	-
Triangular 8	1004-04	-	-	-	-	1004-38	-
Triangular 10	-	1004-24	-	-	-	-	-
Crown type	-	1004-31	-	-	-	-	-
Eastern Europe Ø13 half round	-	1004-42	-	-	-	-	-
Double bit 3	-	-	1004-05	-	-	1004-34	-
Double bit 5	-	-	1004-06	-	-	1004-33	-
Male hexagon 11.1	-	1004-54	-	-	-	-	-
FIAT	-	-	-	-	1004-41	-	-
Square male 6	1004-29	-	-	-	-	-	-
Square male 8	1004-30	-	-	-	-	-	-
Square male 6 - 9.5	-	-	-	-	-	-	1004-19
Hexagon head 8 with bore hole	1004-49	-	-	-	-	-	-
Tube	-	-	-	1004-51	-	-	-

Form H, universal key polyamide blue

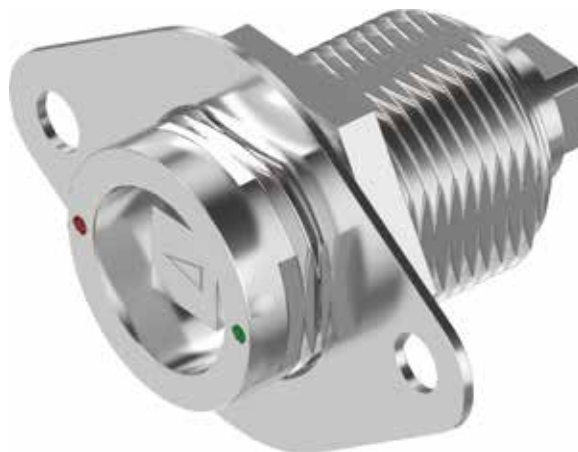
Square male 6, Square 8, double bit 5 and slot insert 1004-48

Shape I, insert railway zinc die black p.c.

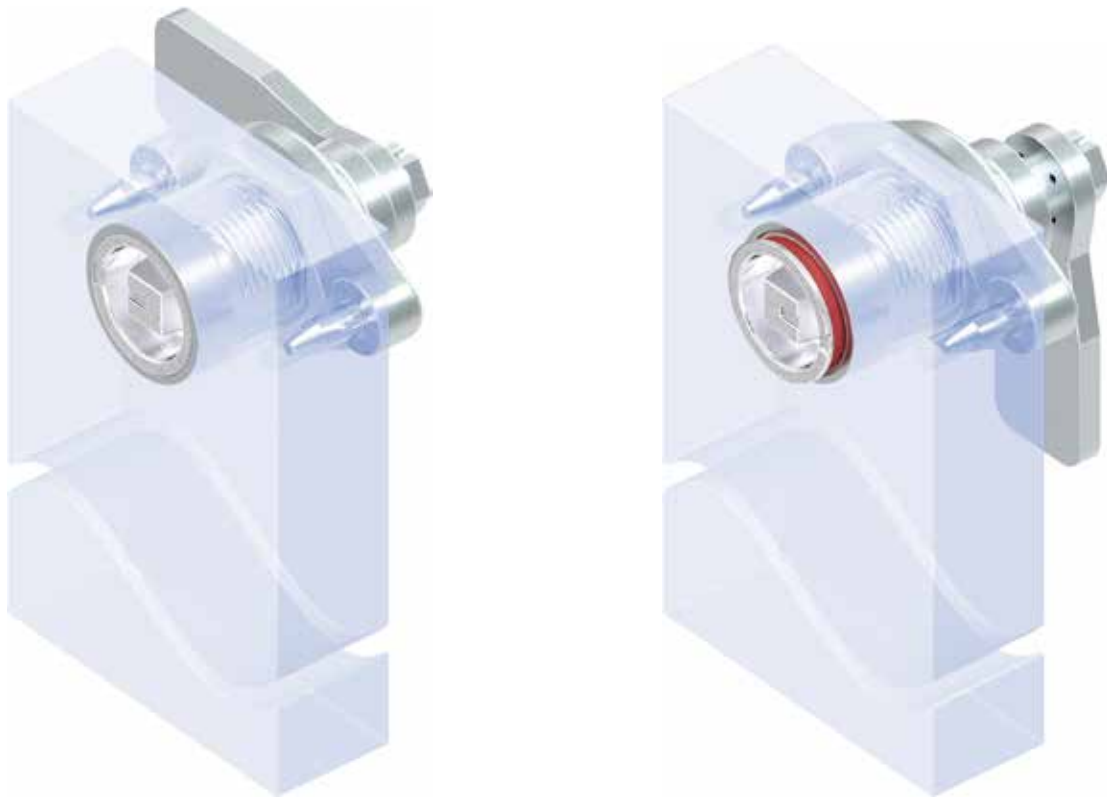
Square 8 - 9; square male 6 - 10.5 1004-52

Railway key with slot 1000-S132

Examples of customer solutions



Compression latch with optical opening indicator for flush mounting

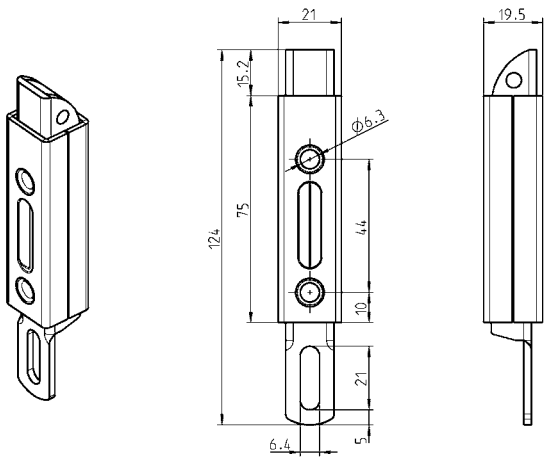


Door depicted transparent



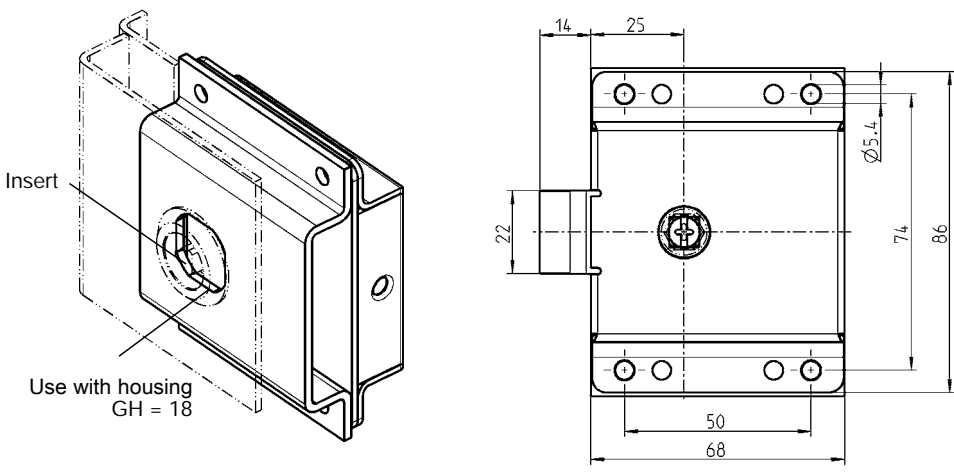


Slam lock

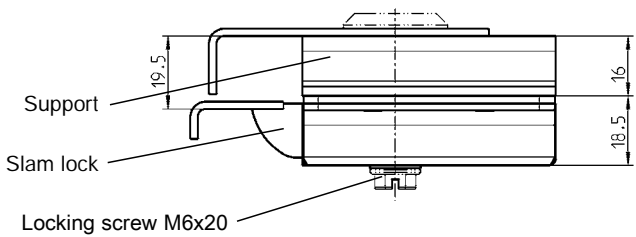


Rod connection can be bent for hand-operation on request

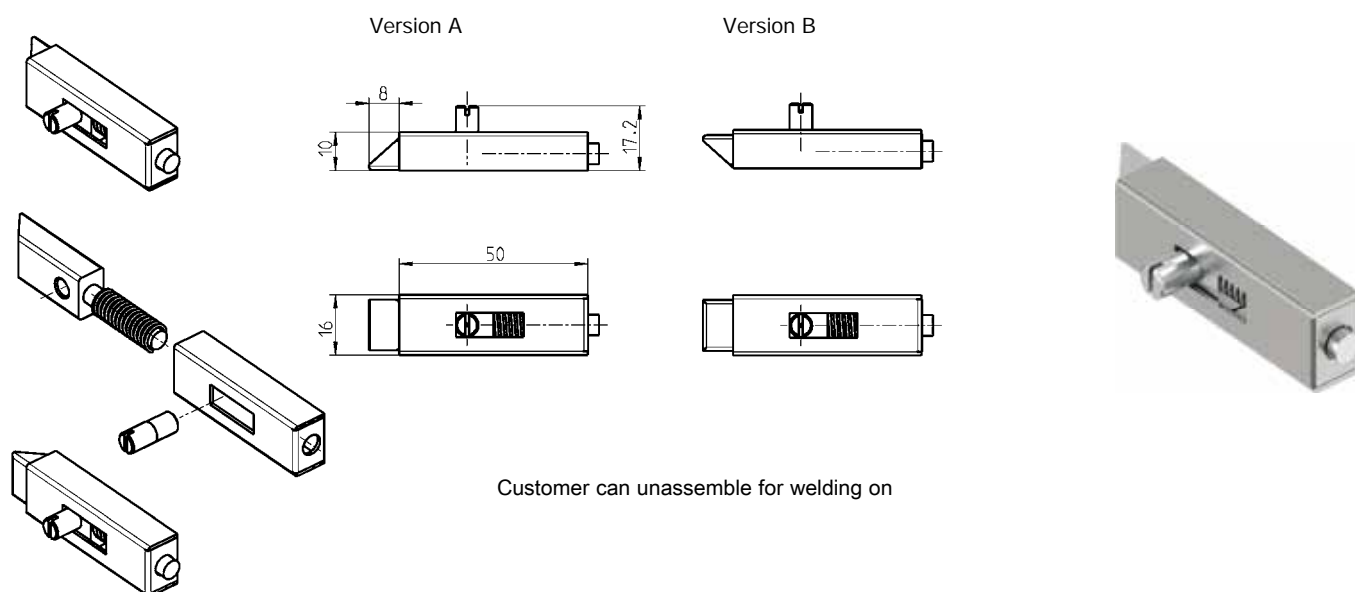
Slam-lock m.s. zinc plated	
	1085-U1



■ Mandrel depth 25 mm

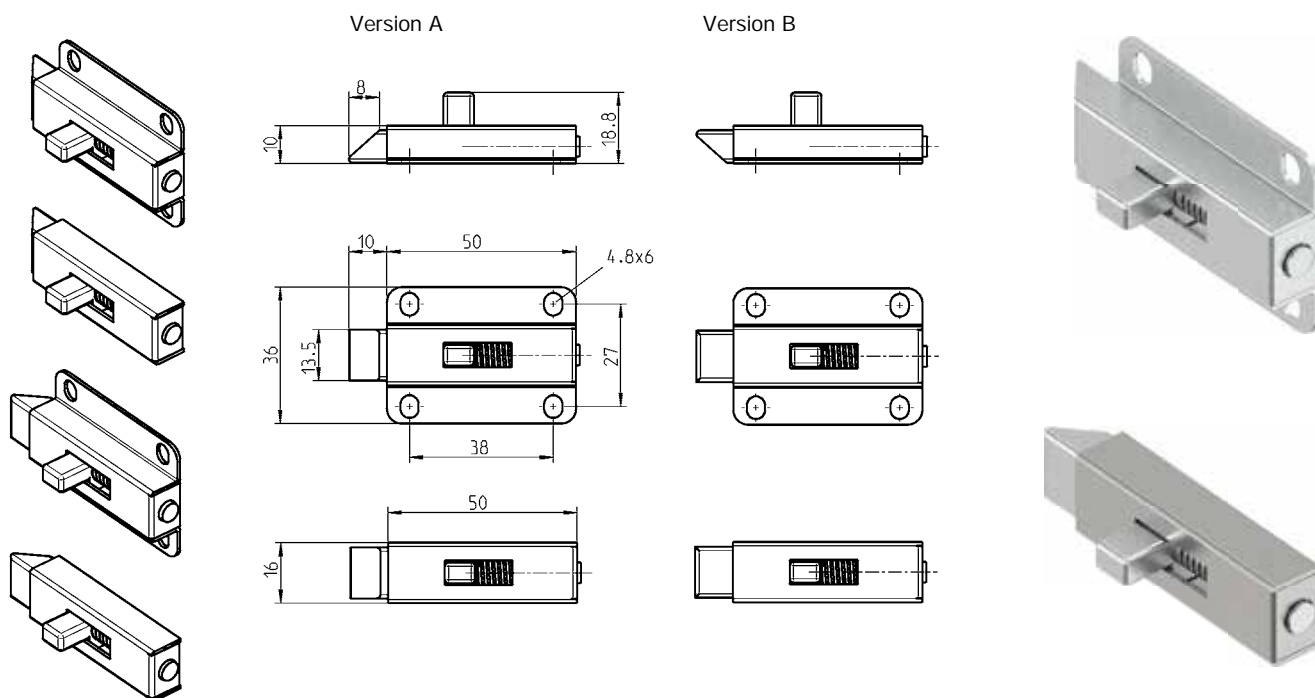


Slam latch m.s. zinc pl., zinc die raw and spring steel	
Support and vibration proof screw m.s. zinc plated	
Slam lock	1034-U1
Support	1034-03
Locking screw M6x20	1000-277-04JB



Slam-lock m.s. raw, locking bolt zinc die zinc plated

	Version A	Version B
weld-on	1053-U5	1053-U6



Slam-lock m.s. zinc plated resp. m.s. raw, locking bolt zinc die zinc plated

	Version A	Version B
screw-on m.s. zinc plated	1053-U1	1053-U2
weld-on m.s. raw	1053-U3	1053-U4

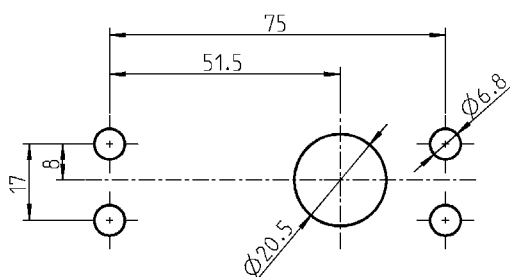
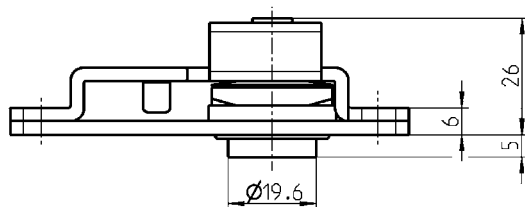
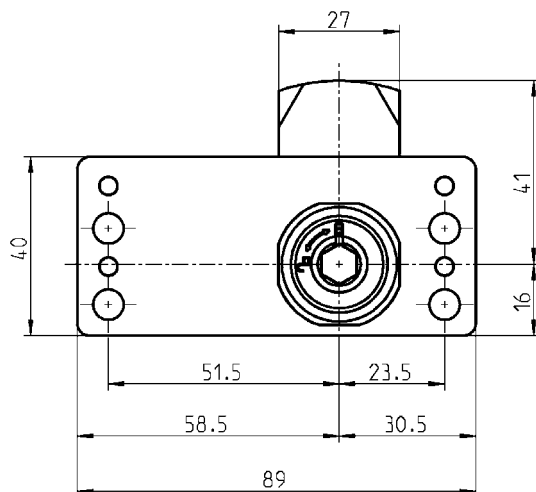
Stainless steel safety latch lock with marking

PROGRAM 1001



Tamper and vibration proof

This lock is of a vibration proof design. Depending on the installation location and the operational conditions, specific tests and/or supplementary measures of fastening are necessary.



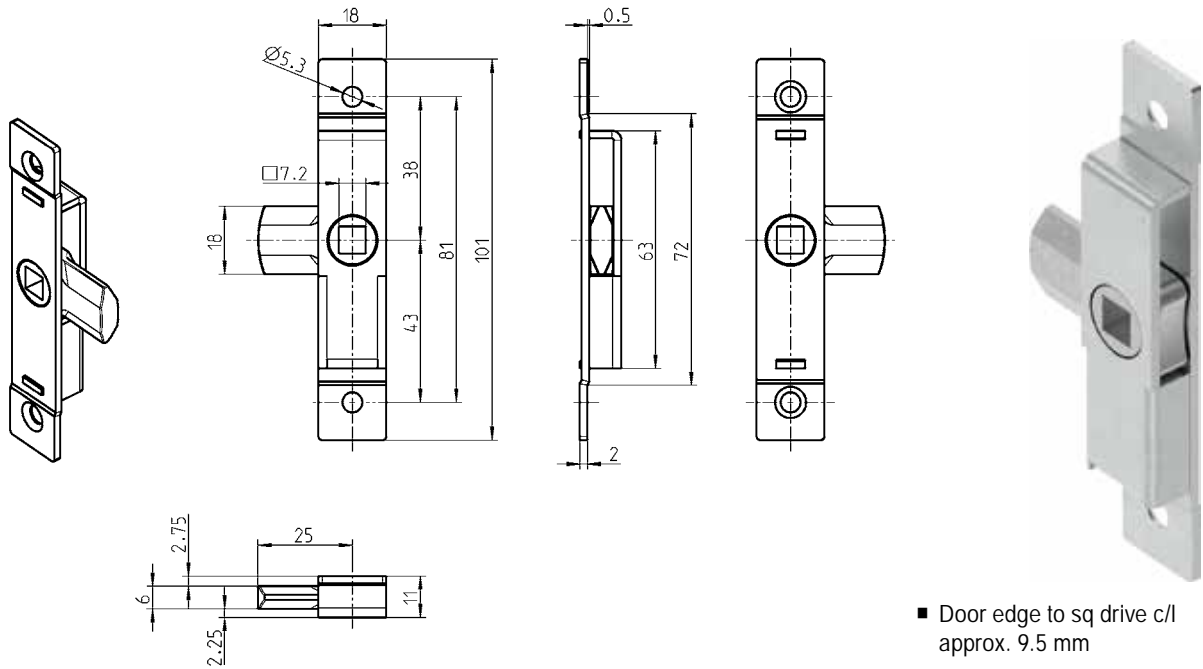
Stainless steel safety latch lock with marking AISI 304

Hexagon female SW 8 red - green mark

1001-SU29-PC

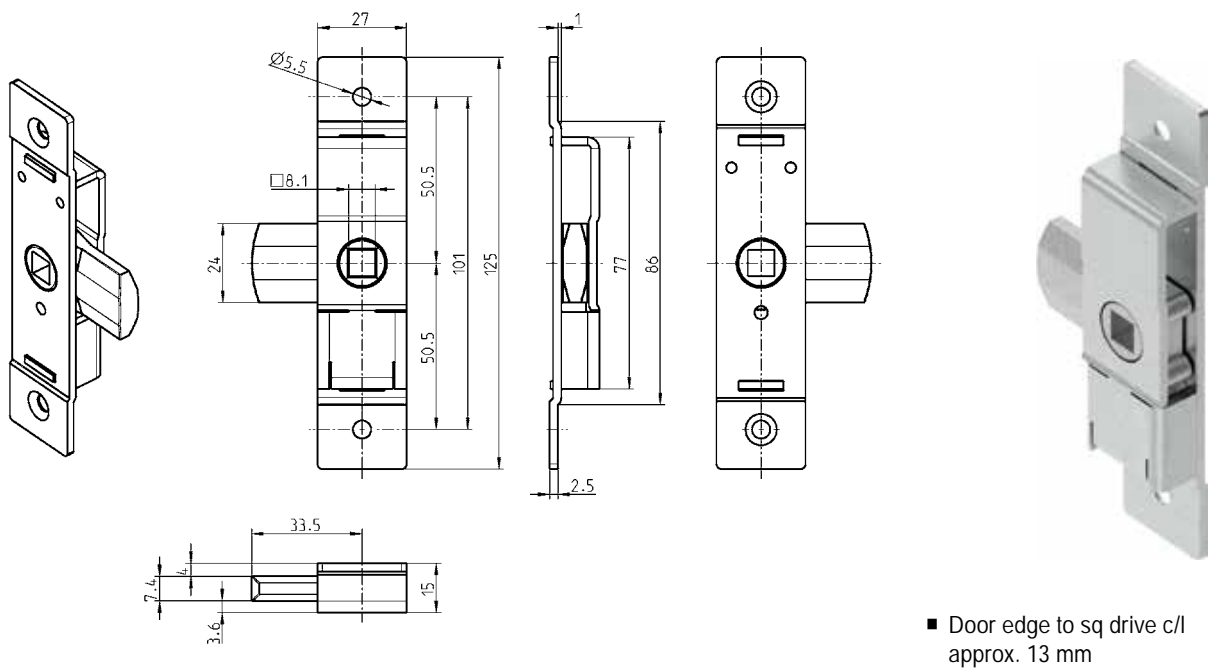
Square 8

1001-SU29-01PC



Housing m.s. zinc plated; cam zinc die raw; with spring

1001-U43



Housing m.s. zinc plated; cam zinc die raw; with spring

1001-U44

Examples of customer solutions: Multi-point locking system with compression latch

PROGRAM 1121



Closed



Actuation through lockable swinghandle

Compressed



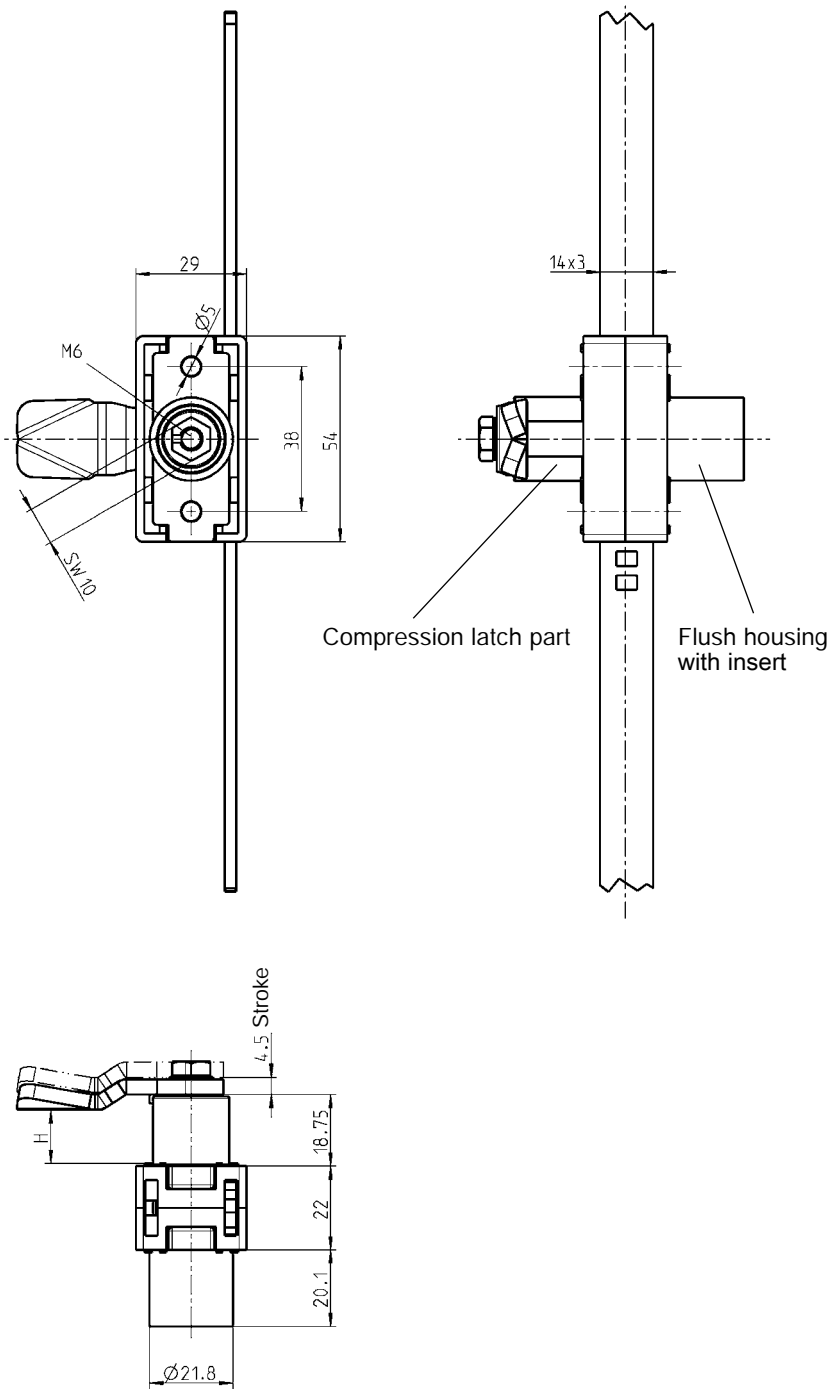
Open



Flush housing with insert



Detail of a locking unit



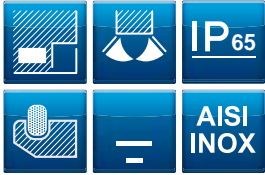
Product benefits

- Multiple point locking system for a high impermeability and a high security against damage
- Every compression latch has 4.5 mm travel
- Spacing between locking points are variable at customer's request
- Unit can be mounted on the flap
- Suitable for thick-walled flap designs
- Can be certified according to fire protection standard DIN EN 45545-2
- Simple use due to time saving, with only one insert

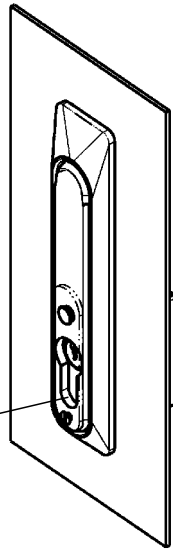
Notes

Swinghandle 1154

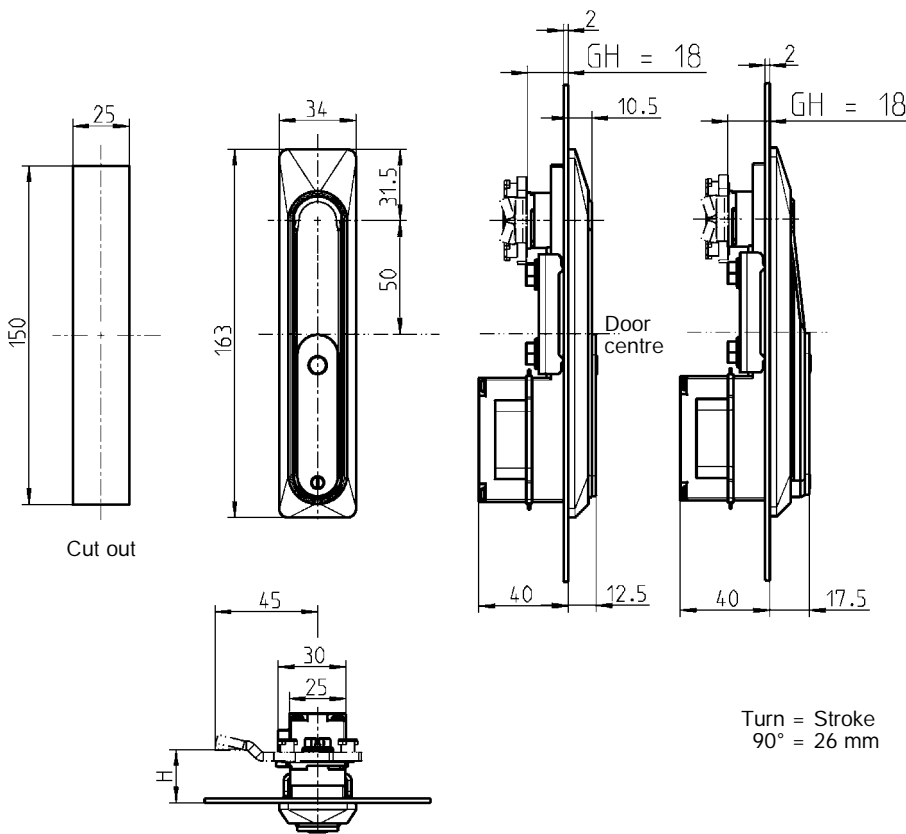
PROGRAM 1150



Stainless steel swinghandle fulfills protection against vandalism



Profile half cylinder is recessed by 3mm



Turn = Stroke
90° = 26 mm



Suitable for profile half cylinder
(length A = 30 or A = 35)
DIN 18252 (EN 1303)

Swinghandle zinc die black powder coated, cap polyamide black, shaft zinc die zinc plated, fixing material m.s. zinc plated, with seal	
for profile half cylinder 40	1154-U1
for profile half cylinder 45	1154-U3
Swinghandle AISI 316, shaft AISI 303, cap polyamide black, fixing material stainless steel, with seal	
for profile half cylinder 40	1154-U2
fixing material cover AISI 316	1154-05-PH

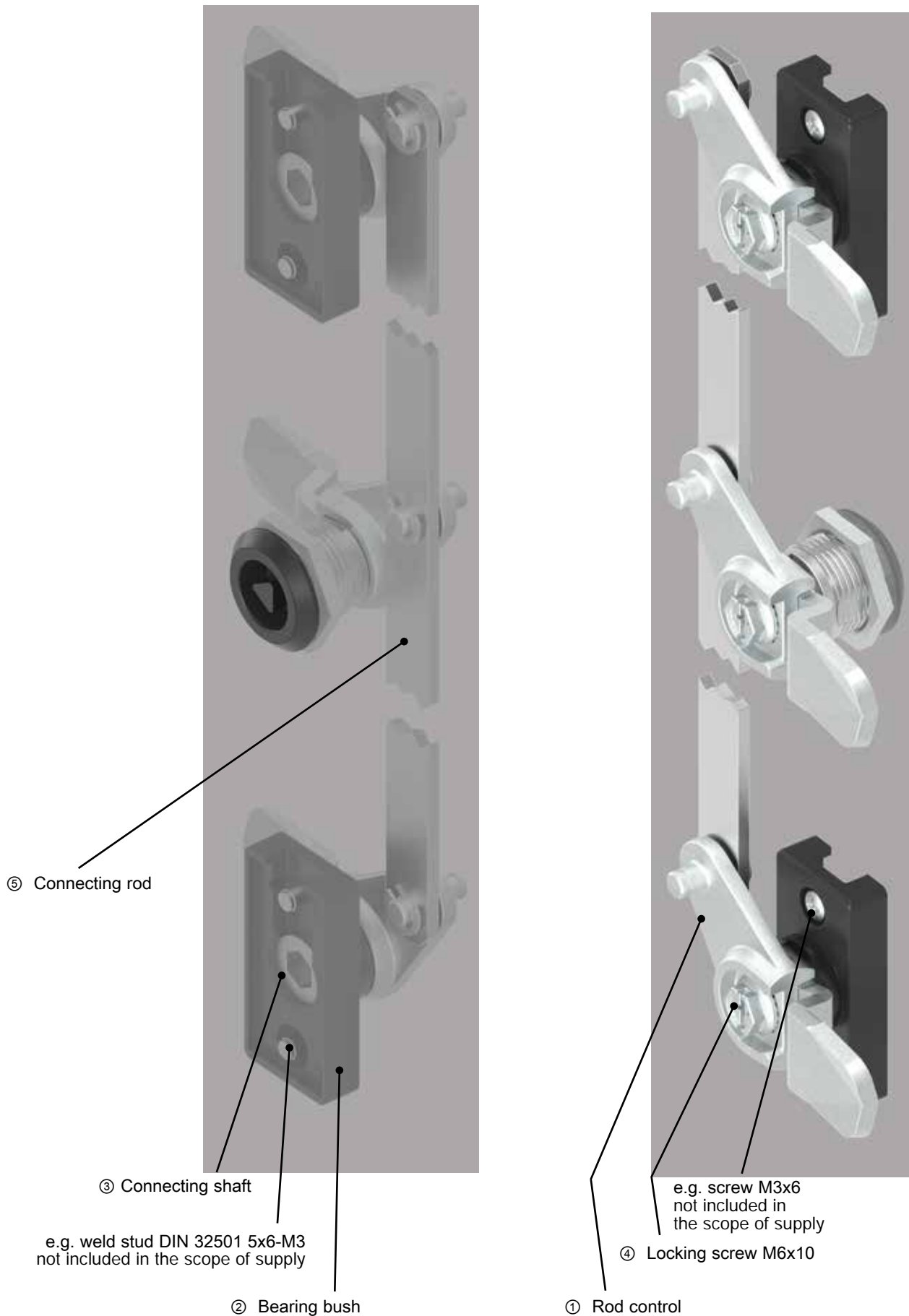
Further parts see page
– Cams (GH = 18) B1-530
– Profile half cylinder 3XB-120
(siehe Gesamtkatalog)

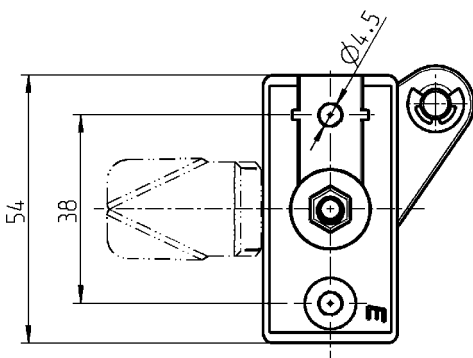
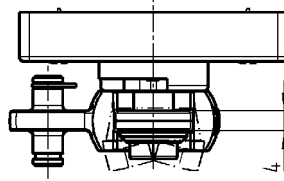
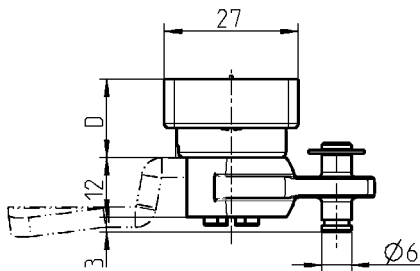
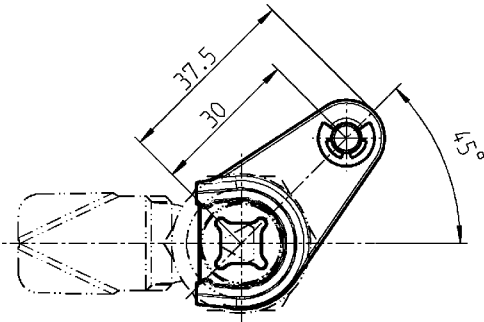
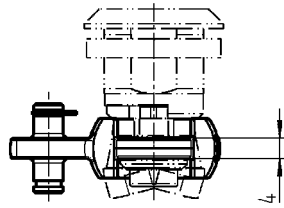
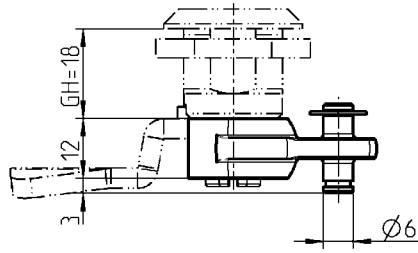
Rod control for multi-point locking

PROGRAM 1000



Example with one quarter turn and two bearing bushes





Note
Combined with a safety quarter turn, e.g. 1000-U817-23IA, the application fulfills the standard of DIN EN 61373 (shock and vibration resistance)

Rod control zinc die, zinc plated or AISI 316; circlip m.s. zinc plated or stainless steel

zinc die zinc plated	1000-U874
AISI 316	1000-U874-VA

② Bearing bush Polyamide black or AISI 316

Ts	D	left stop Polyamide GF black	right stop Polyamide GF black	bearing bush Polyamide GF black	without stop AISI 316
1,5	16,5	1125-83-015	1125-84-015	additional Ts gauges available with and without stopper	on request
2,0	16,0	1125-83-020	1125-84-020		1125-81-20PH

Note
When using the rod control for multi-point locking, the screw-in depth of the screw is reduced by 4 mm

③ Connecting shaft zinc-die

1000-556-KA

④ Vibration-proof screw M6x10 for connecting shaft m.s. zinc-plated

1000-277-01JB

⑤ Connecting rod m.s. zinc-plated

Lengths between 100 to 1,200 mm available

1000-608-LJB

Further parts see page

- Cam (type 1) B1-530
- Quarter turn from B1-120 to B1-200
- Safety quarter turn: from B1-140 to B1-160





1 Locks



2 Hinges



3 Gasketings



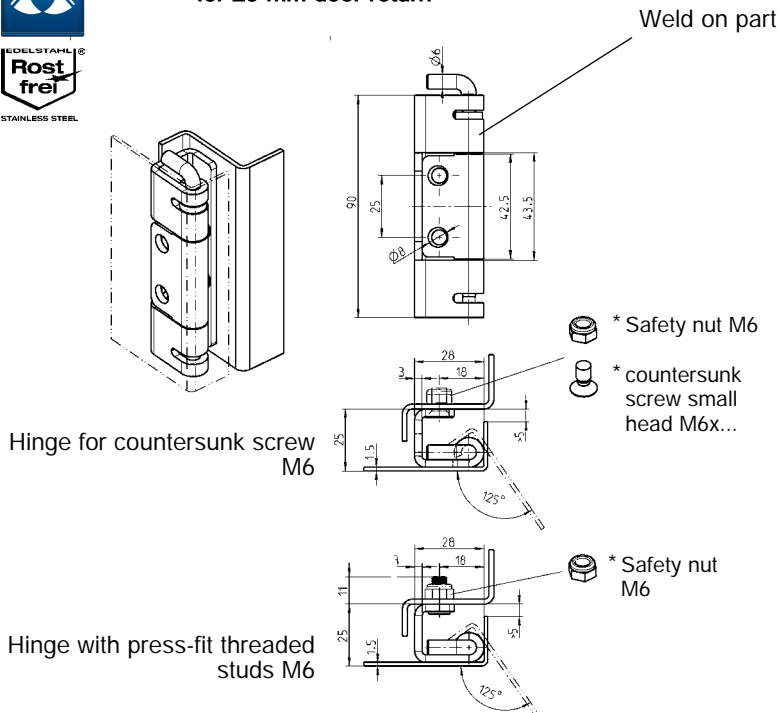
4 Accessories

125° hinge with captive pin

PROGRAM 1031



125° hinge for single cabinets for 25 mm door return



125° hinge

hinge frame part, pin and threaded studs m.s. zinc-plated; door part m.s. raw;
pin clamping ring POM red

for countersunk small head M6

with press-fit threaded studs M6x15

1031-U12

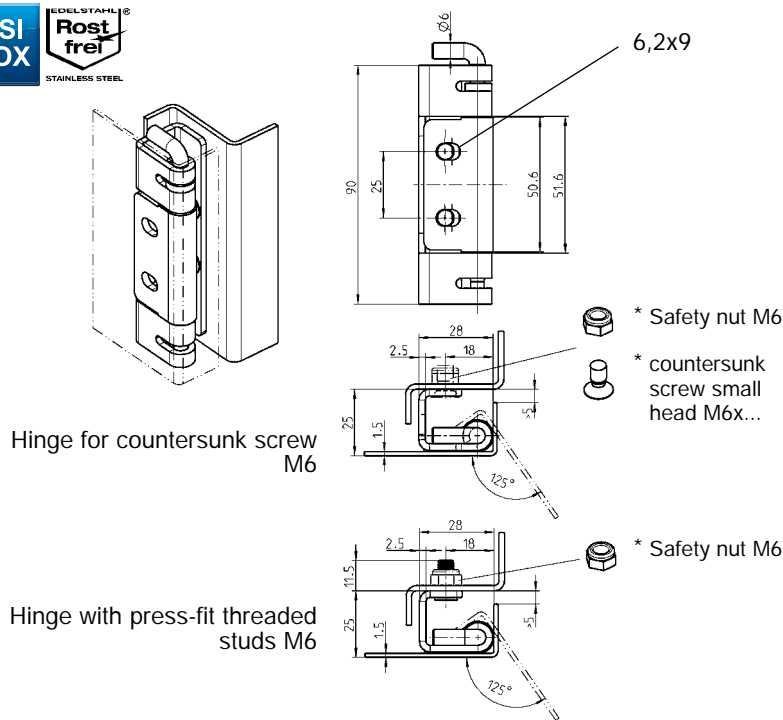
1031-U19

* not included in
the scope of supply

small head = DIN ISO 2009,
2010, 7046-1, 7046-2, 7047



125° hinge for single cabinets for 25 mm door return



125° hinge AISI 304 or AISI 316Ti; threaded studs stainless steel; pin clamping ring POM red

AISI 304 for countersunk small head M6

AISI 316Ti for countersunk small head M6

AISI 304 with press-fit threaded studs M6x15

1031-U13

1031-U22

1031-U20

* not included in
the scope of supply

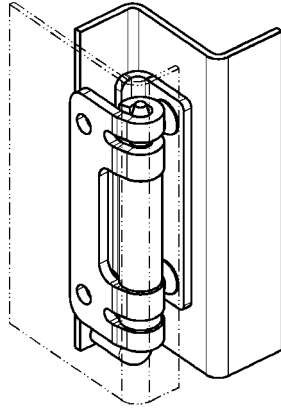
small head = DIN ISO 2009,
2010, 7046-1, 7046-2, 7047

135° hinge with captive pin

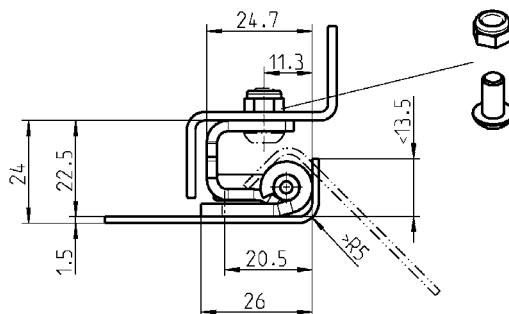
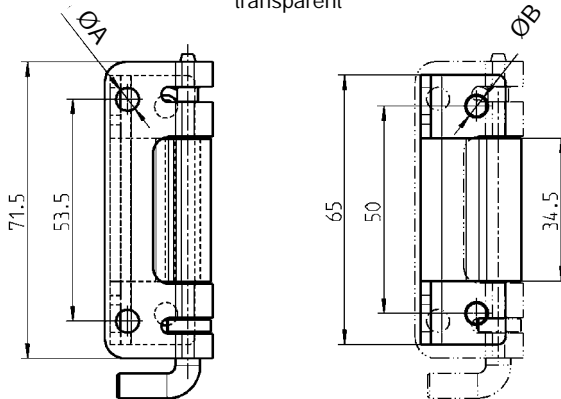
PROGRAM 1031



135° hinge for single cabinets
for 24 mm door return



Hinge depicted
transparent



* Safety nut M5

* Oval head screw
DIN ISO 7380 M5x...

135° hinge AISI 304; pin AISI 303; pin clamping ring POM red

$\varnothing A = 5.5 \text{ mm}$; $\varnothing B = 5.5 \text{ mm}$

1031-U15

$\varnothing A = 6.8 \text{ mm}$; $\varnothing B = 5.5 \text{ mm}$

1031-SU96

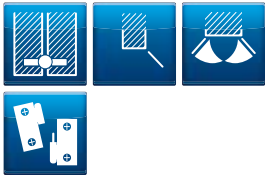
$\varnothing B = 5.5 \text{ mm}$; $\varnothing B = 9 \text{ mm}$

1031-SU80

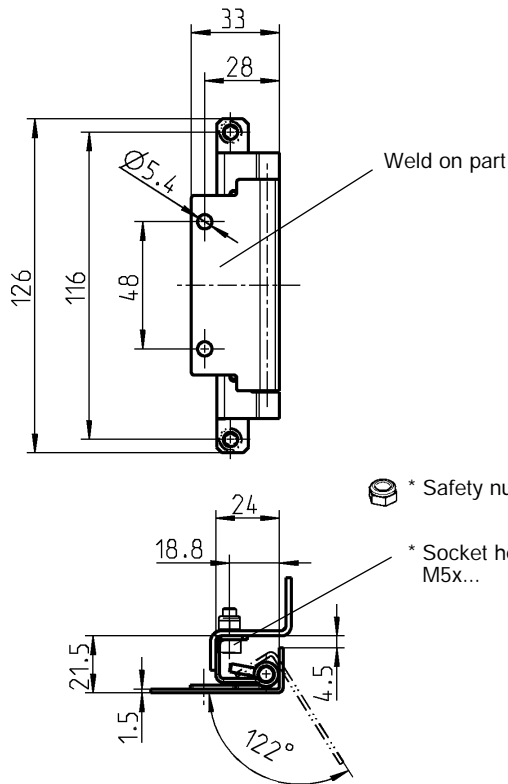
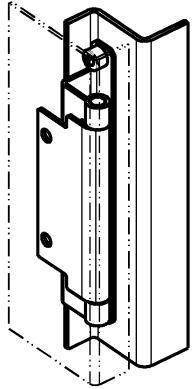
* not included in
the scope of supply

122° and 115° hinge with captive pin

PROGRAM 1031



**122° hinge for single cabinets
for 22 mm door return**

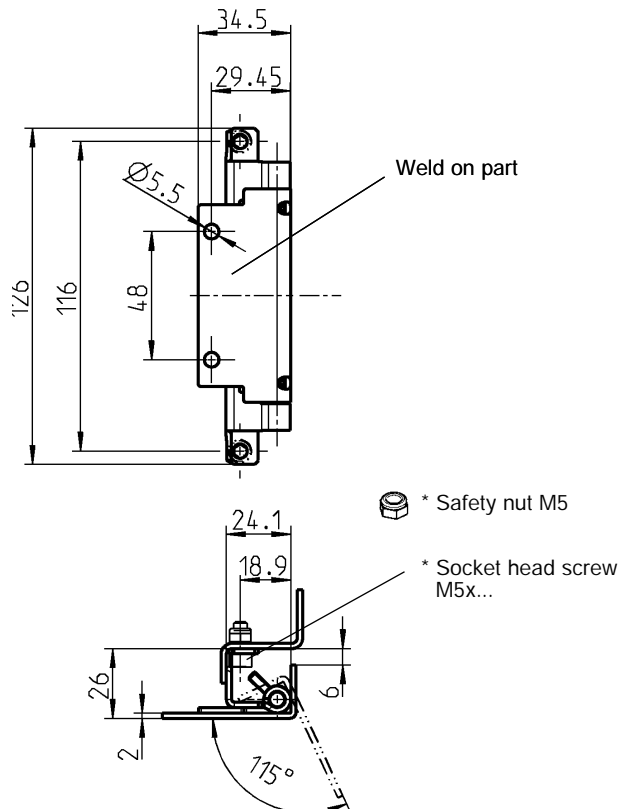
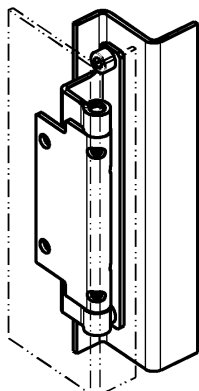


122° hinge m.s. zinc plated, with spring

1031-U18



**115° hinge for single cabinets
with 26 mm door return**



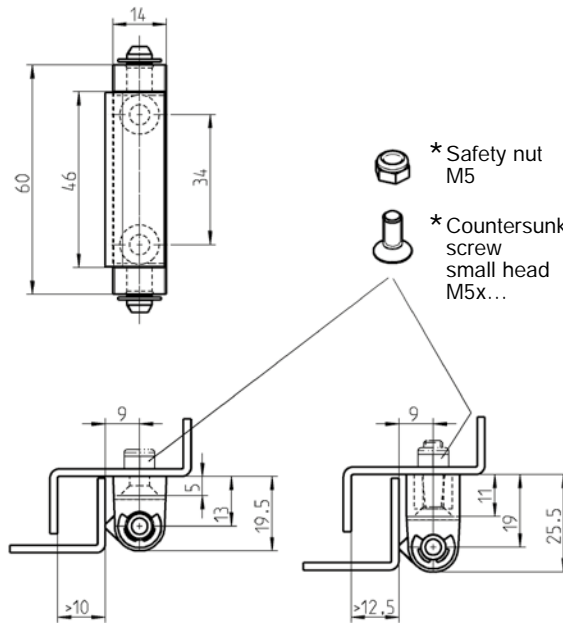
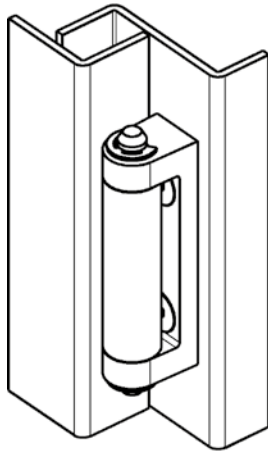
115° hinge AISI 304

1031-U14

* not included in the scope of supply

115° and 122° hinge with captive pin

PROGRAM 1031



- * Safety nut M5
- * Countersunk screw small head M5x...

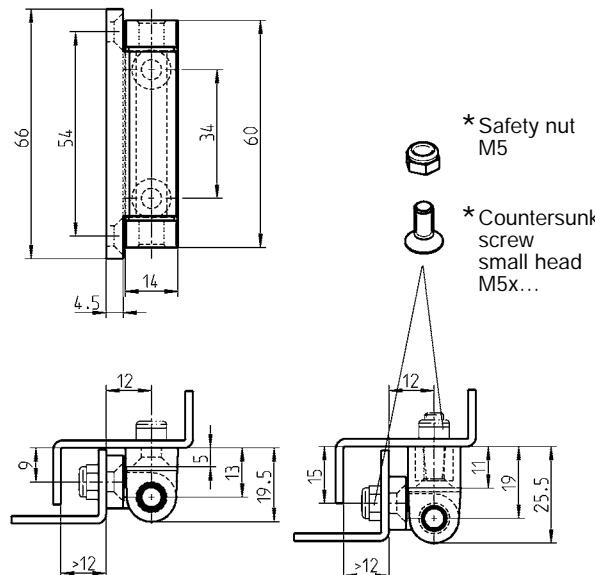
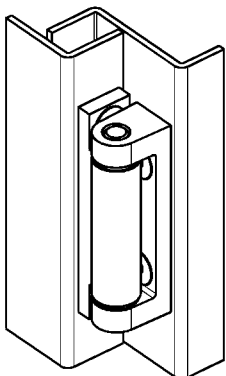


Hinge zinc die; middle part m.s. raw; pin and plate m.s. zinc plated		
	Dim. 19,5	Dim. 22,5
chrome plated	1054-U2	1054-U14
black powder-coated	1054-U8	1054-U15
raw	1054-U26 **	1054-U25 **

**= Minimum order quantity: 1000 pieces



AISI INOX
EDELSTAHL
Rost frei
 STAINLESS STEEL



- * Safety nut M5
- * Countersunk screw small head M5x...



Hinge zinc die; pin stainless steel and bushes polyamide		
	Dim. 19,5	Dim. 22,5
chrome plated	1054-U3	1054-U16
black powder-coated	1054-U9	1054-U17
raw	1054-U23 **	1054-U24 **

** = Minimum order quantity: 1000 pieces

* not included in the scope of supply

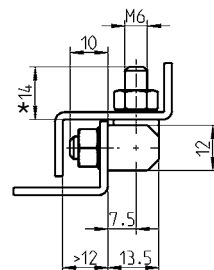
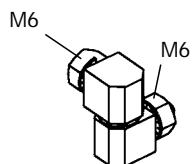
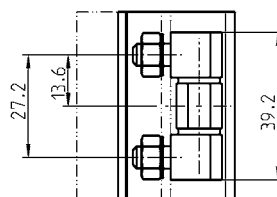
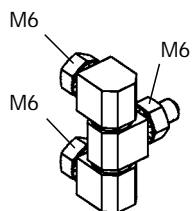
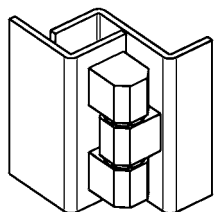
small head ≙ DIN ISO 2009, 2010, 7046-1, 7046-2, 7047

180° screw-on hinge

PROGRAM 1055, 1039



180° screw-on hinge



* = 10 mm with two-piece hinge

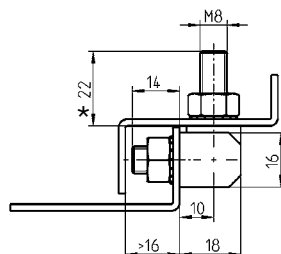
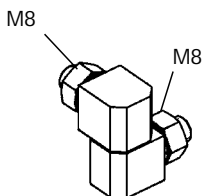
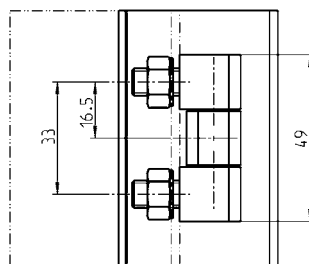
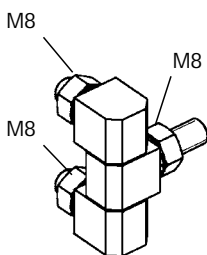
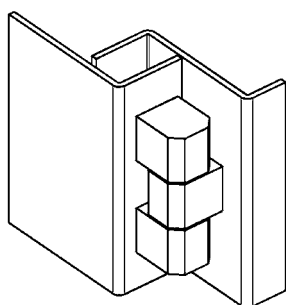


**180° screw-on hinge m.s. zinc plated;
pin and washers brass nickel plated respectively completely stainless steel**

- three-piece	m.s.	1055-U2
	AISI 303	1055-U6
	AISI 316	1055-U8
- two-piece	m.s.	1055-U5



180° screw-on hinge



* = 14 mm with two-piece hinge

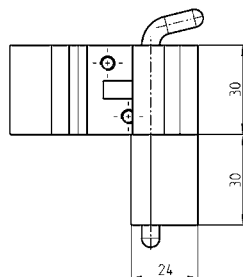
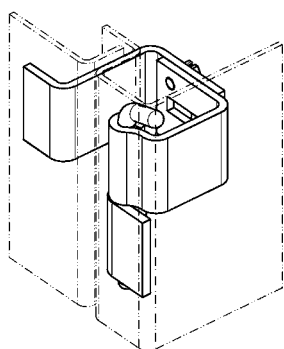
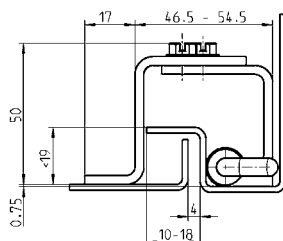


**180° screw-on hinge m.s. zinc plated;
pin and washers brass nickel plated respectively completely stainless steel**

- three-piece	m.s.	1039-U12
	AISI 303	1039-U19
	AISI 316	1039-U26
- two-piece	m.s.	1039-U17

90° Concealed hinge

PROGRAM 1006, 1007



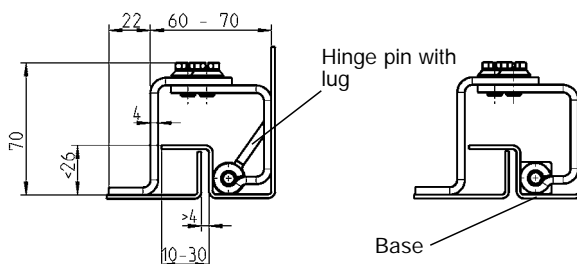
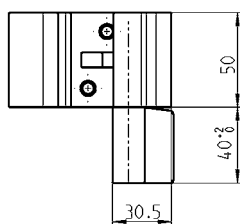
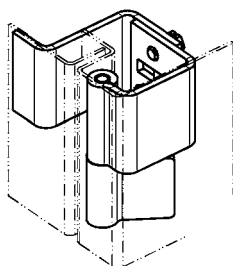
Concealed hinge

m.s. zinc plated, weld-on part m.s. raw

1006-U1

AISI 304 and AISI 303

1006-U1-PC



Concealed hinge m.s. zinc plated, weld-on parts m.s. raw

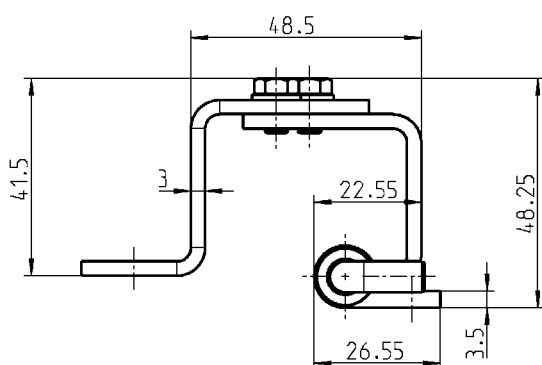
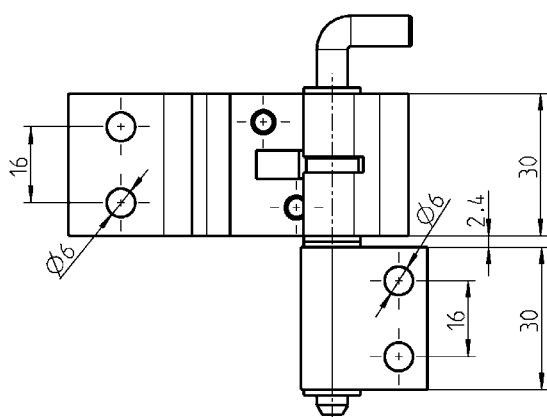
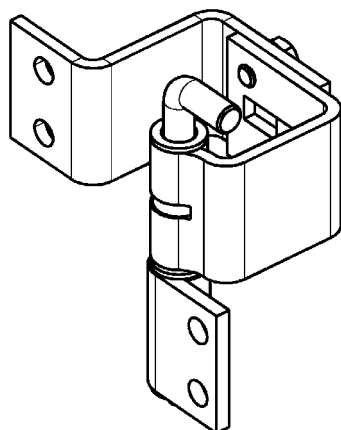
Hinge pin with lug

1007-U2

Hinge pin with square (17x50)

1007-U1

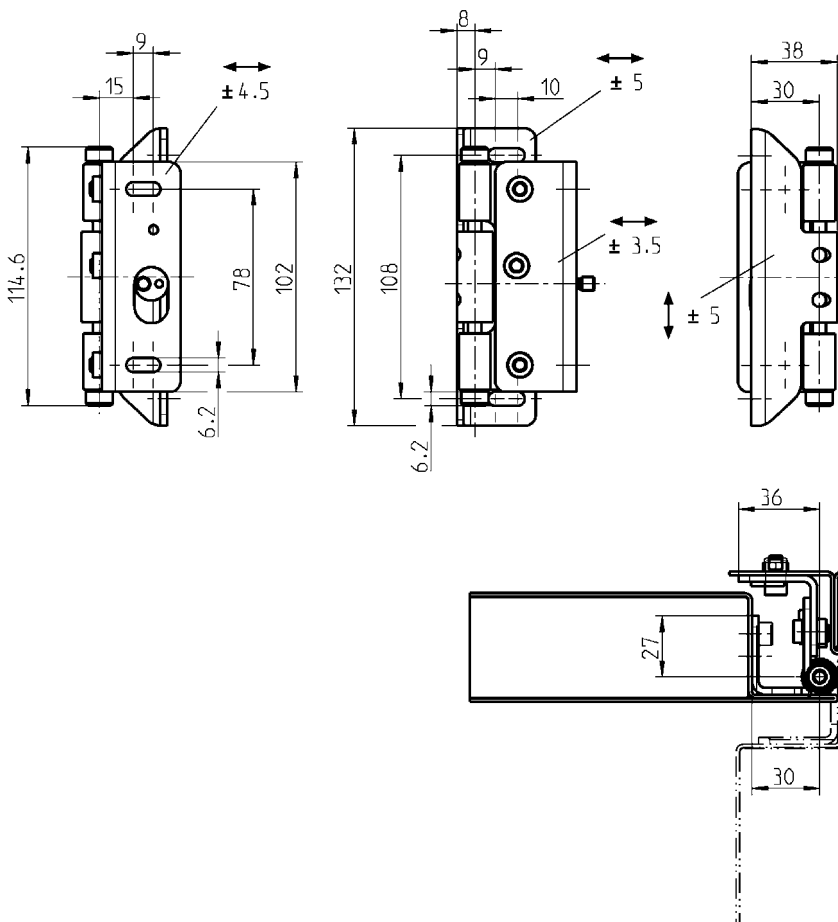
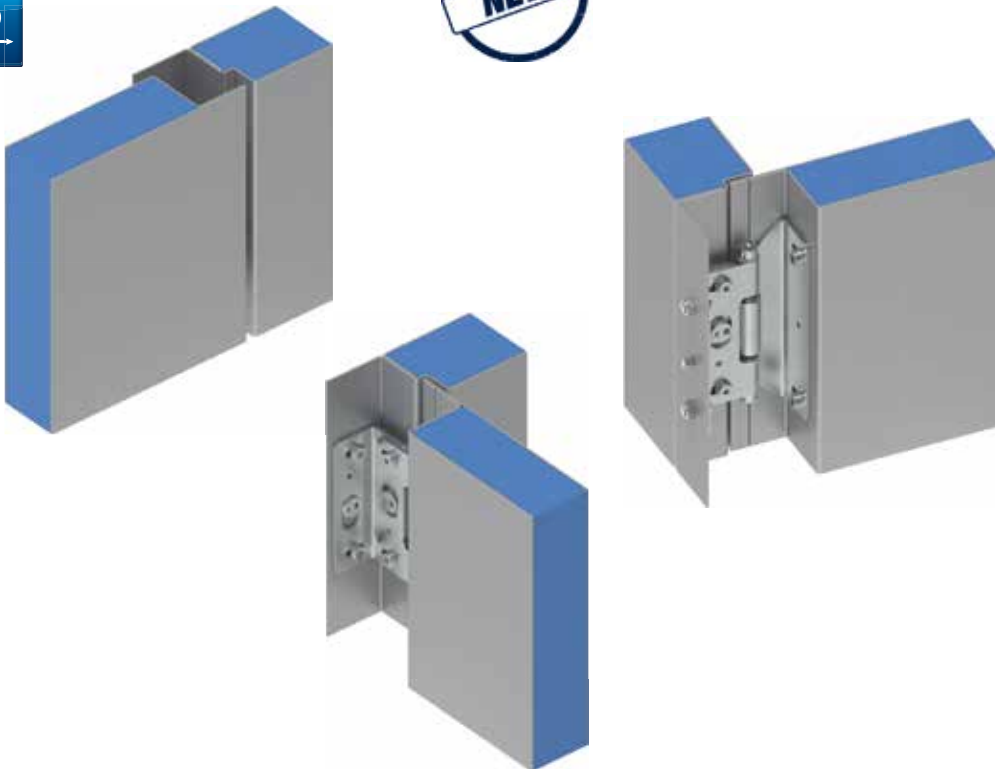
90° Concealed hinge PROGRAM 1006



Concealed hinge AISI 304 and AISI 303; bush polyamide nature
and pin clamping ring POM red

1006-SU1-PC

90° 3D Hinge PROGRAM 1031

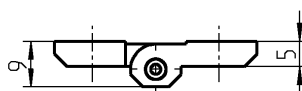
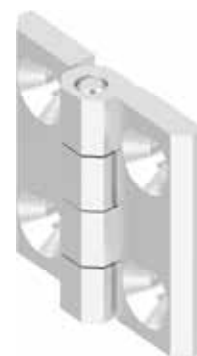
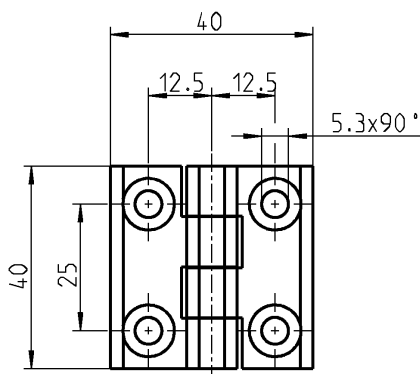
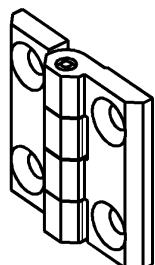


90° 3D Hinge m.s. zinc plated; eccentric bolt and screws m.s. zinc plated; plain bushes

1031-SU107



180° hinge for in-line cabinets with double door



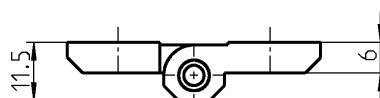
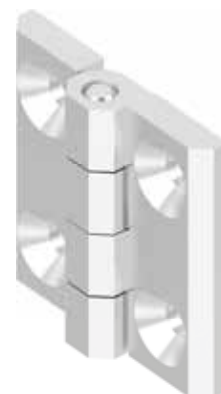
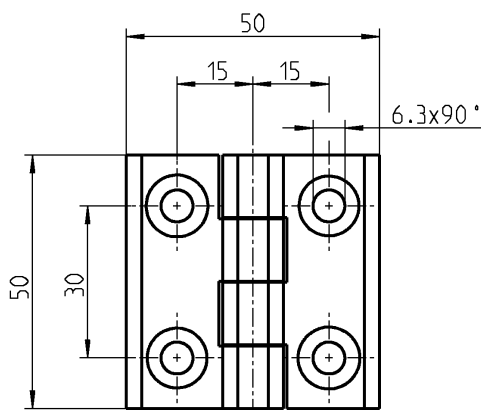
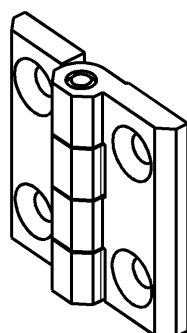
180° hinge AISI 316 RH and LH version

for countersunk screw M5

1056-U5-PH



180° hinge for in-line cabinets with double door



180° hinge AISI 316 RH and LH version

for countersunk screw M6

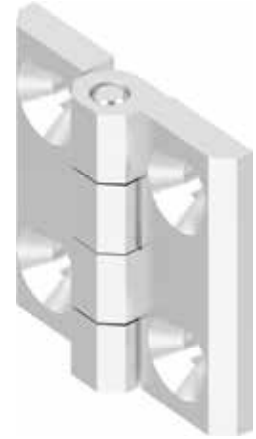
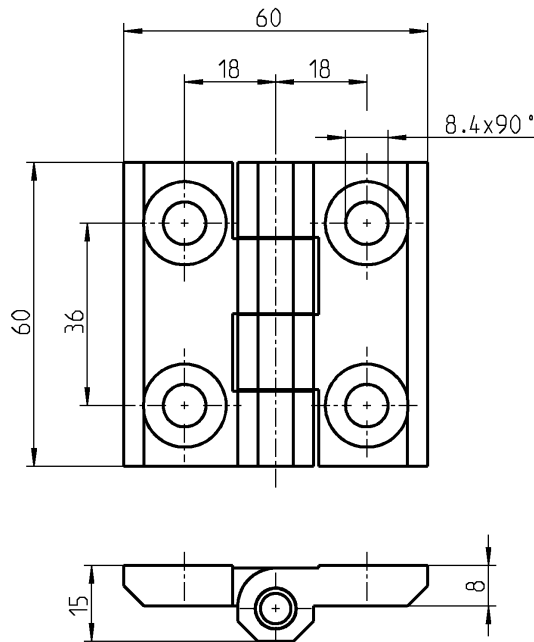
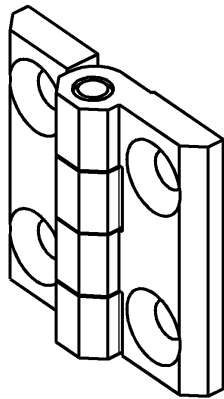
1056-U9-PH

180° and 270° hinge

PROGRAM 1056



180° hinge for in-line cabinets with double door



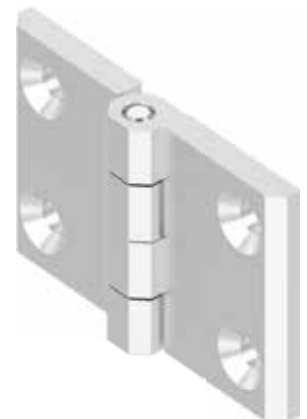
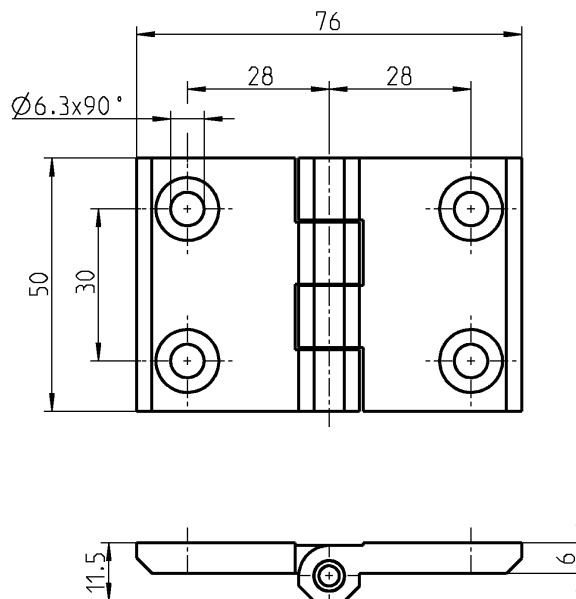
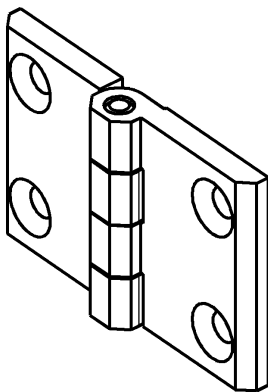
180° hinge AISI 316 RH and LH version

for countersunk screw M8

1056-U13-PH



270° hinge for in-line cabinets with double door



270° hinge AISI 316 RH and LH version

for countersunk screw M6

1056-U17-PH

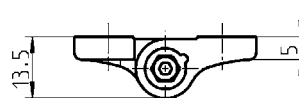
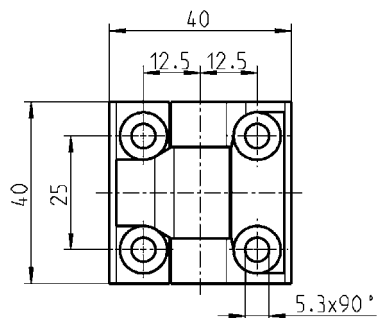
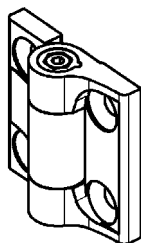
180° Screw-on torque hinge with adjustment function

PROGRAM 1056



Product benefits

- adjustable torque
- holds any position continuously at adequate load
- constant torque across 180° adjustment range
- same torque while opening and closing
- compatible with all hinges of the 1056 program with identical cut out
- can replace door stops, cover stays or gas springs depending on installation location



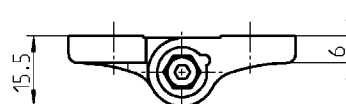
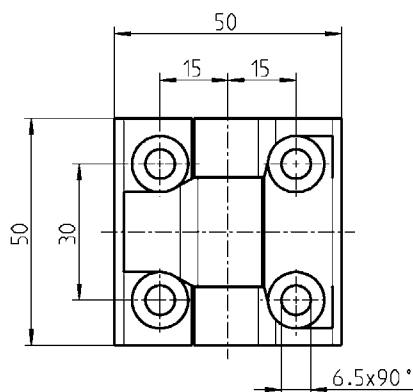
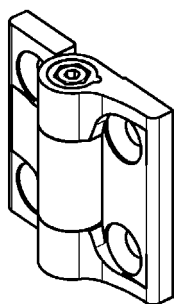
180° Screw-on torque hinge zinc-die black powder-coated for countersunk screw M5; friction cone polyacetal POM; screw and nut m.s. zinc-plated

Nm max. tightening torque of screw in Nm

to ~ 2

0,5

1056-U6-01



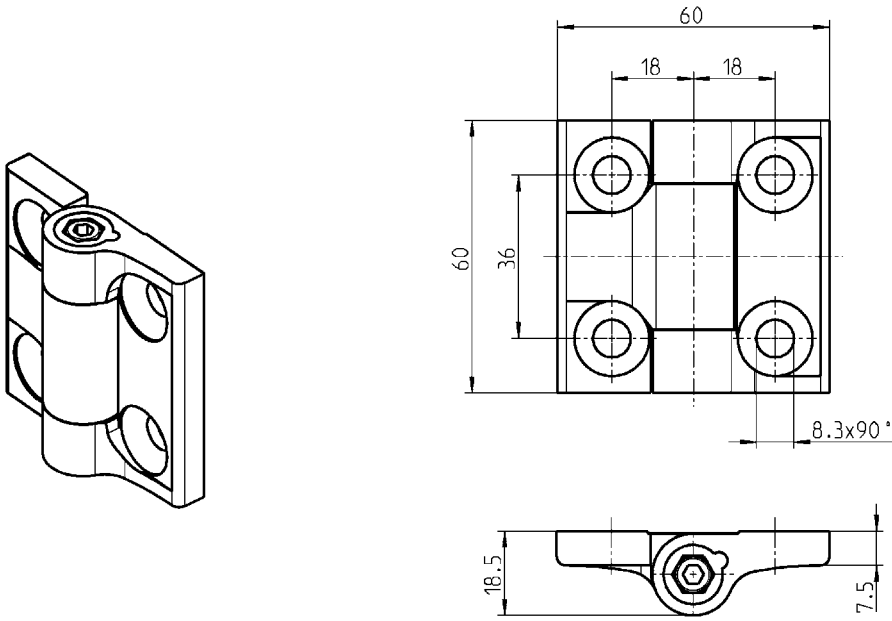
180° Screw-on torque hinge zinc-die black powder-coated for countersunk screw M6 (2D nut can be used); friction cone polyacetal POM; screw and nut m.s. zinc-plated

Nm max. tightening torque of screw in Nm

to ~ 4

0,75

1056-U10-01



180° Screw-on torque hinge zinc-die black powder-coated for countersunk screw M8; friction cone polyacetal POM; screw and nut m.s. zinc-plated

Nm	max. tightening torque of screw in Nm	
to ~ 6.5	1,5	1056-U14-01

Dimensioning / Calculation:

The number of hinges in case of covers depends on the size and the weight of the cover. We are pleased to help you with the dimensioning of the hinges on request.

Example

- Opening angle α = 120°
- Door length: L = 0,8 m
- Door mass: m = 3,5 kg
- Gravitational pull: g = 9,81 m/s²
- Torque hinge: M = 6,5 Nm
- Number of hinges: n = ?

Formula:

$$\text{Total } M = \left(\frac{L \times m \times g \times \sin \alpha}{2} \right)$$

Result:

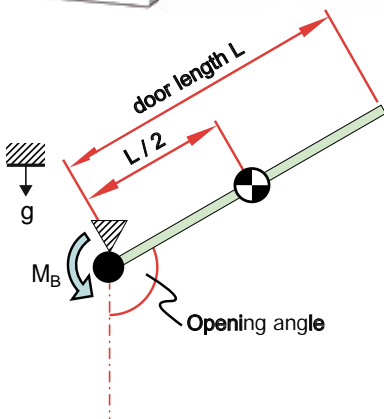
11.9 Nm = 2 hinges of item no. 1056-U14-01

Torque hinge

The hinge can be set continuously in any position. There it remains at the same position. The torque is similar when opening and closing.

Application

This torque hinge is suitable for doors and covers.

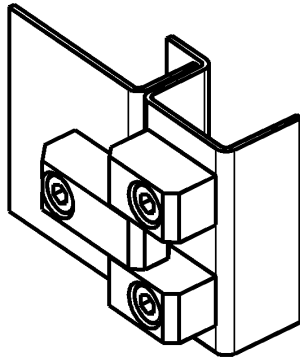




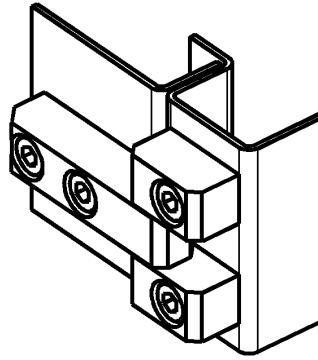
180° hinge for in-line cabinets



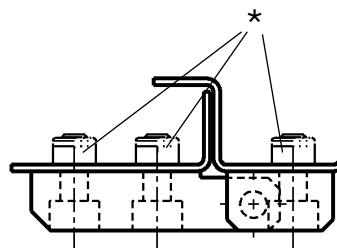
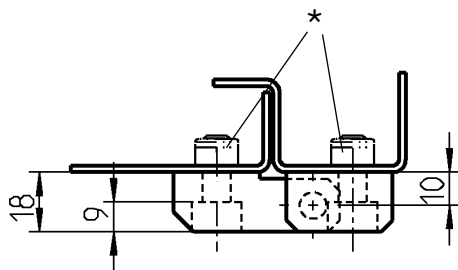
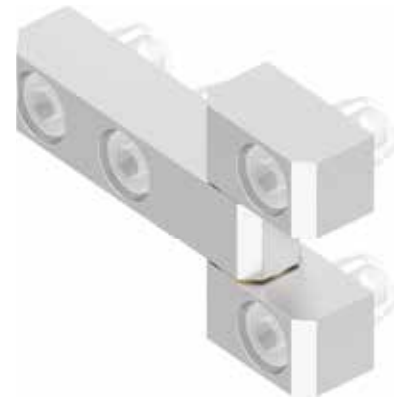
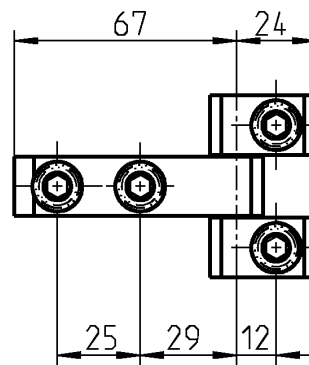
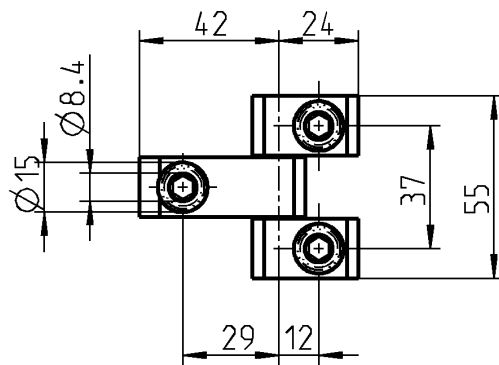
STAINLESS STEEL



Short middle part



Long middle part



180° hinge AISI 303; pin and washer brass nickel-plated

short middle part, RH and LH version

1039-U13-PF

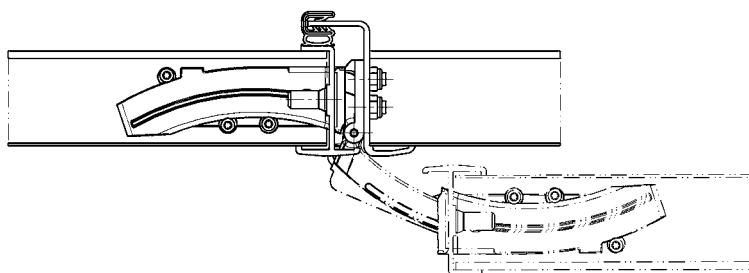
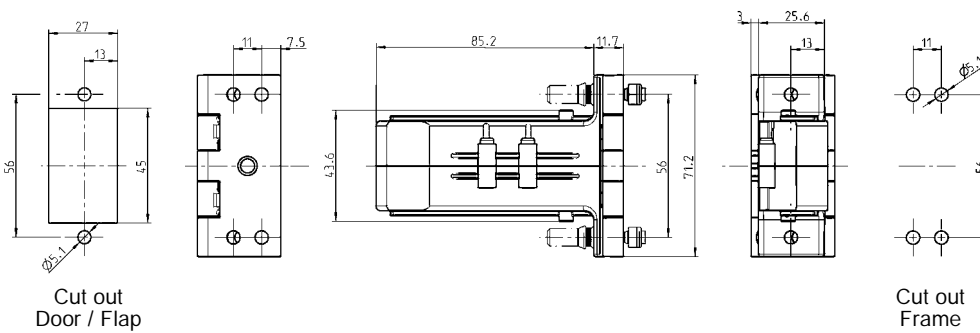
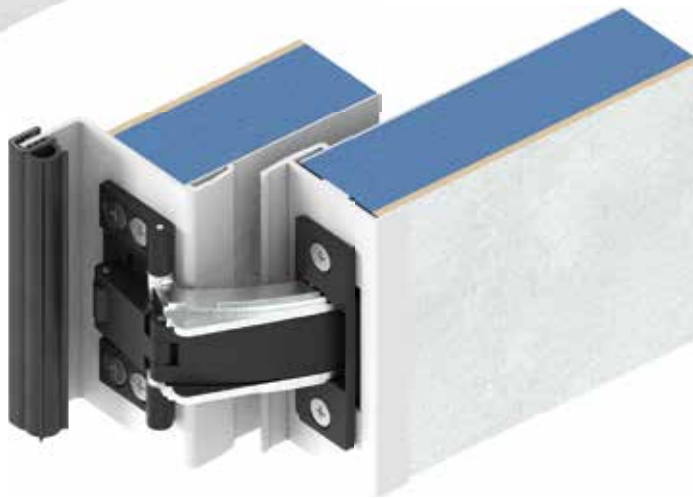
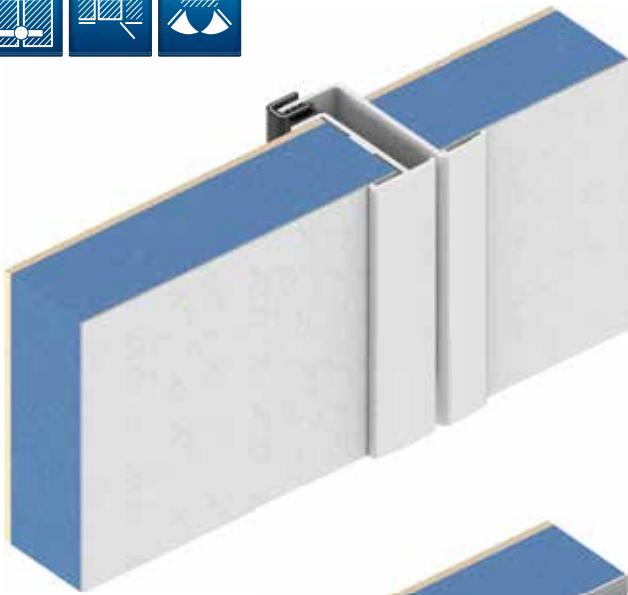
long middle part, RH and LH version

1039-U15-PF

* not included in the scope of supply

180° Gear hinge

PROGRAMM 1007



180° Gear hinge
housing, frame part and lever polyamide 66 GF 50 black; slide POM black;
hinge slide and gearwheel zinc die zinc-plated; washers PTFE;
pins stainless steel; screws m.s. zinc-plated

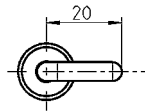
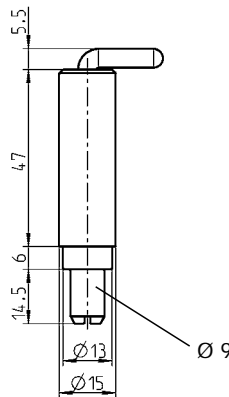
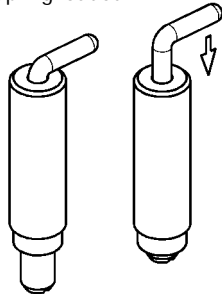
1007-U10

Pin hinge

PROGRAM 1117



Spring loaded

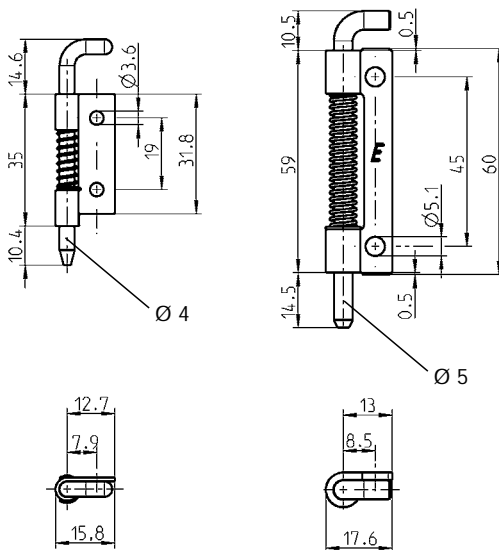


Pin hinge m.s. zinc-plated, spring material spring steel zinc-plated, guide sleeve m.s. raw or AISI 304, pin AISI 303, spring stainless steel

m.s.	1117-U1
AISI	1117-U1-PF



Spring loaded



Version A

Version B



Pin hinge m.s. zinc-plated, spring material spring steel zinc-plated

RH-version A	1117-U2	LH-version A	1117-U3
RH-version B	1117-U4	LH-version B	1117-U5

Pin hinge AISI 304, pin AISI 303, spring stainless steel

RH-version B	1117-U4-PC	LH-version B	1117-U5-PC
--------------	------------	--------------	------------

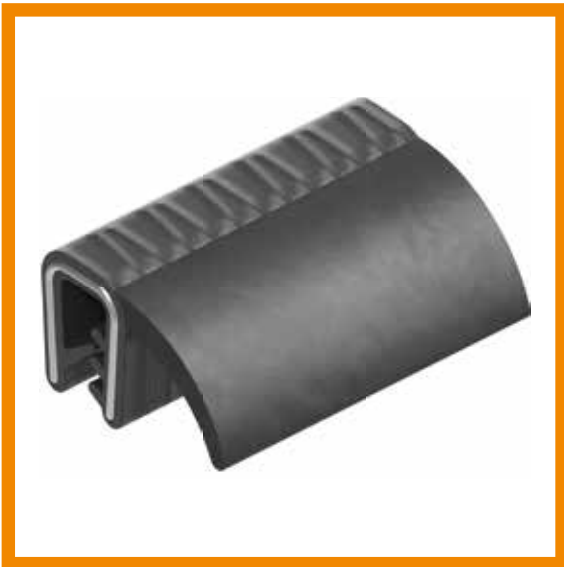




1 Locks



2 Hinges



3 Gasketings



4 Accessories

Notes:



Clip-on profile with sealing balloon or sealing lip top

The clip-on profile is clipped onto the designated edge.
There are various shape and material types to choose from. Depending on the installation situation a sealing balloon or sealing lip is to be used.



Clip-on profile with sealing balloon or sealing lip on the side

The clip-on profile is clipped onto the designated edge.
There are various shape and material types to choose from. Depending on the installation situation a sealing balloon or sealing lip is to be used.



Insert profile with sealing balloon on top

The insert profile is inserted into the respective designated duct.
There are various heights, widths and types to choose from.

Frames and rings information

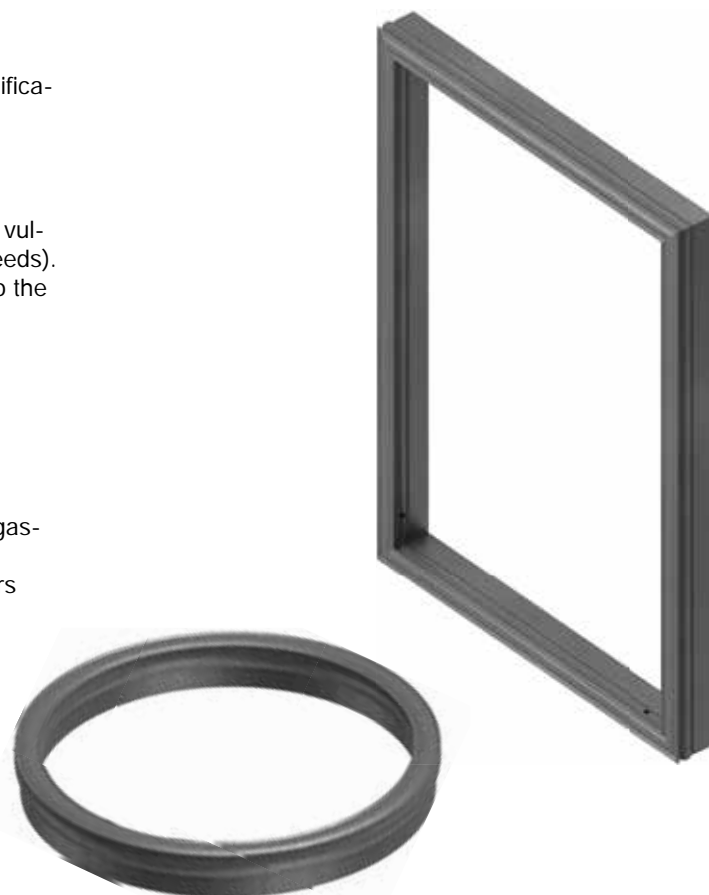
Readily customised frames and rings according to customer specifications possible.

We offer numerous assembly possibilities for the known profiles in fixed lengths.

For frames and rings the butt and corner joints can be glued, film vulcanised or realised by injection moulding (formed corners / end feeds). Possibly arising tool costs needs to be clarified beforehand due to the required assembly option.

Product benefits

- The exact and time-intensive mitre-cutting of the gasket or the observance of the given minimum bending radius of the gaskets are not necessary
- The assembled frames and rings facilitate the mounting on doors and cabinets frames
- No leakiness at butt ends and mitre joints



Glueing

The most simple process is to glue two profile ends. For all rings, vent holes are strongly recommended as the compression force increases in a closed ring. A better solution to glueing two profiles is film vulcanization.



Film vulcanising

Film vulcanising is a permanent and durable process. A foil of the same material is inserted between the profile ends that are to be vulcanised. The required time for film vulcanising is longer than for glueing.



Injection moulding

Injection moulding means formed corners and end injection moulding. Injection moulding is e.g. a process to produce special corners for frame. The example next shows ① a rounded frame while the clamping range ② is produced rectangular. This option is not possible for vulcanising gasket ends with mitre joint ①.



INFORMATION

Tolerance of gaskets:

Gasket tolerance dependant upon DIN ISO 3302-1. Soft rubber usually according to 'E2' and sponge rubber according to 'E3'.

PVC edge protection profile tolerance dependant upon DIN 16941-3B.

Following are some examples:

Nominal dimension		Tolerance class DIN ISO 3302-1 E2	Tolerance class DIN ISO 3302-1 E3
over	to		
0	1,5	±0.25	±0.40
1,5	2,5	±0.35	±0.50
2,5	4,0	±0.40	±0.70
4,0	6,3	±0.50	±0.80
6,3	10	±0.70	±1.00
10	16	±0.80	±1.30
16	25	±1.00	±1.60
25	40	±1.30	±2.00
40	63	±1.60	±2.50

Nominal dimension		Tolerance class DIN 16941-3B
over	to	
0	3	±0.40
3	6	±0.60
6	10	±0.70
10	18	±0.80
18	30	±1.00

The appropriate storage is important (optimal storage temperature +5°C to +20°C). For the storage of gaskets, attention should be paid to DIN 7716 (guidelines for storage, maintenance and cleaning of rubber products). If possible, wrong storage in respect to long lay days or storing times should be avoided, since the mechanical characteristics may change.

Recommended compression for gasketing profiles:

The compression of our sealing profiles should be 50% max. since otherwise the function (tightness) and the resetting forces are affected. In practice, the profiles are compressed between 30-50%.

It does not matter, whether it is a EPDM, NBR or a silicone profile. Here, the mechanical properties are (unlike the chemical resistances) quite comparable. If the gasket is deformed beyond these limitations, there is the risk of the compression set (DVR) becoming too big because the material deforms plastically as well.

Then the gasket would be designed too lean.

Resistances:

Because of the large variety of possible chemicals, solvent (concentrations), operating temperatures and times, no evaluations concerning the possible resistances can be made at this point. In every individual case, a test in the present circumstances, like concentration, temperature and duration of the impact, is recommended.

Fire protection:

We supply materials certified according to the current fire protection standards for rail vehicles.

Whether the achieved categories fit to the respective requirements or vehicle classes has to be verified for the individual case.

Disclaimer:

Disclosed values are generally guide values determined on test panels and correlate with our respective state of knowledge. They do not, however, relieve the final user from their own thorough tests.

Comparison EPDM with silicone

Material / Characteristics	EPDM	Silicon
Concise designation according to DIN EN ISO 1043-1	EPDM	MQ; MVQ; VMQ
Chemical designation	Ethylen-propylen-dien-rubber (EPDM)	Silicone rubber
Temperature stability	- 30 to + 120 °C	- 60 to + 200 °C
short-term peak temperature	+ 150 °C	+ 250 °C
General shelf life	5 to 10 years	up to 20 years
Elastic properties	good	good
Mechanical characteristics	good	good
Abrasion resistance	good	good
Chemical resistance	very good	good
Resistance to weathering	very good	very good
Resistance to ozone	very good	very good
Resistance to fuel	not suitable	not suitable
Resistance to benzol	not suitable	not suitable
Resistance to water	good	good
Resistance to acids	good	moderate
Resistance to bases	good	moderate
Resistance to gas impermeability	satisfying to moderate	good
Resistance to deformation	good	good
Resetting capability	very good	good

Test specifications:

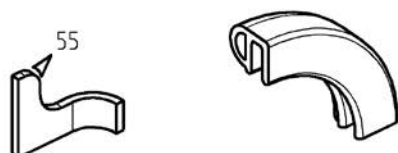
Test values of the used compounds are generally determined on test panels according to the respective standards.

Note

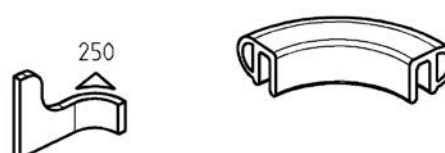
The indicated resistances and material properties are only guide values and do not relieve the customer from the responsibility of executing their own tests for evaluating the utilisability.

Please note that elastomers have a limited life due to e. g. ageing. This is why we recommend regular inspection and replacement intervals.

All information is corrected based on our current knowledge. But we do not warrant the correctness and completeness of the information; furthermore it is subject to alterations of denominations, values and validities of the fire protection standards.



Minimum bending radius

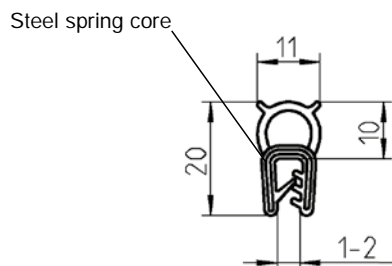
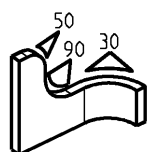


Minimum bending radius



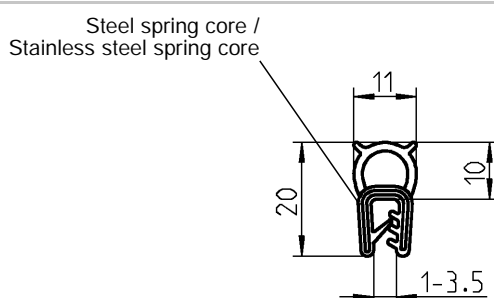
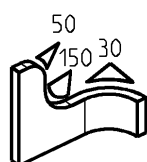
Gaskets made of fire protection compound self-clamping

PROGRAM 1011



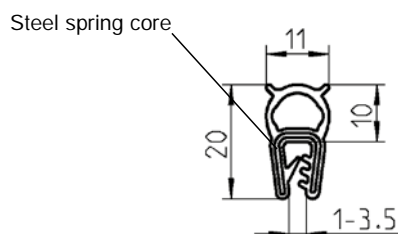
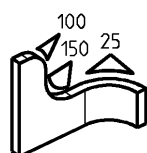
Gasket made of fire protection compound

②③④⑤⑥	Sponge rubber (EPDM) black (clamping gasket sponge rubber EPDM)	1011-S19
-------	--	----------



Gasket made of fire protection compound sponge-rubber (EPDM) black
(clamping profile EPDM 60° ± 5 Shore A)

①	Steel spring core	1011-05-FR01
①	Stainless steel spring core	1011-S140-FR01



Gasket made of fire protection compound silicone solid material

①③④⑥⑦	70° ±5° Shore A blue-black	1011-S47-BF
①	75° ±5° Shore A white	1011-S47-HA
①	60° ±5° Shore A black	1011-S80

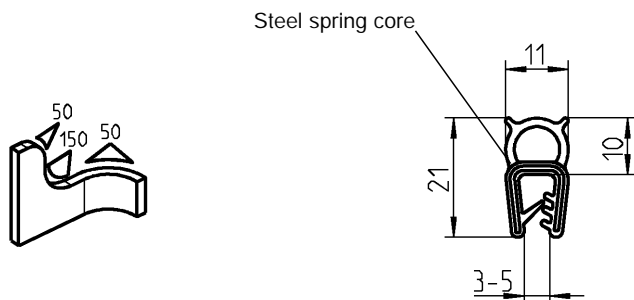
Fire protection standards

①	DIN EN 45545-2
②	NF F 16-101/ -102
③	ASTM C1166
④	ASTM E662
⑤	SMP 800-C
⑥	BSS 7239
⑦	ASTM E1354



Gaskets made of fire protection compound self-clamping

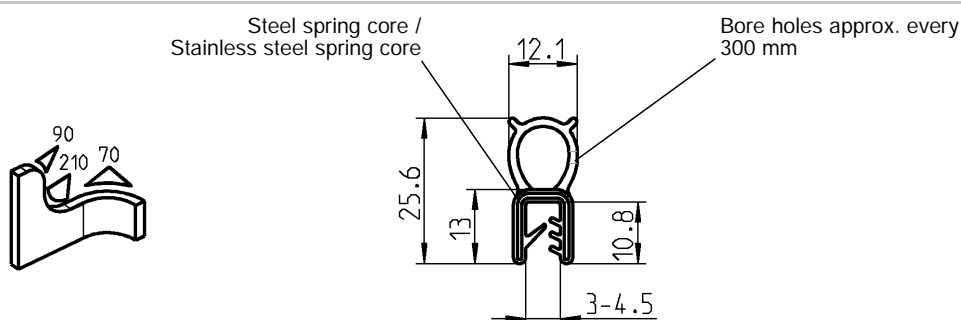
PROGRAM 1011



Gasket made of fire protection compound sponge-rubber (EPDM) black
(clamping profile EPDM 60° ± 5 Shore A)

①

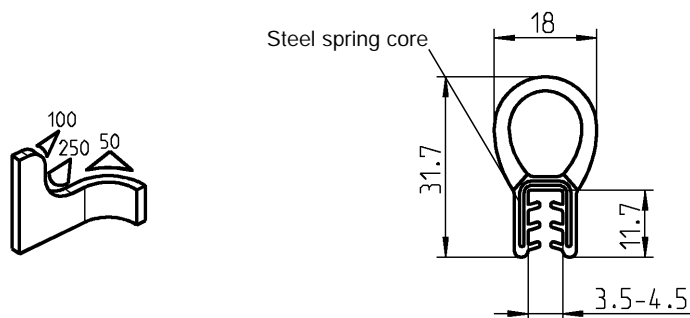
1011-S127-FR01



Gasket made of fire protection compound sponge-rubber (EPDM) black
(clamping profile EPDM 60° ± 5 Shore A)

①

1011-S118-FR01



Gasket made of fire protection compound sponge-rubber (EPDM) black
(clamping profile EPDM 60° ± 5 Shore A)

①

1011-S119-FR01

Fire protection standards

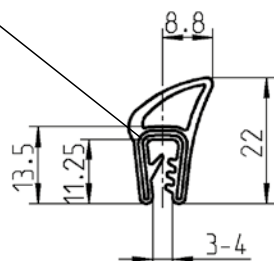
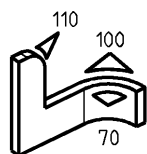
①	DIN EN 45545-2
②	NF F 16-101/ -102
③	ASTM C1166
④	ASTM E662
⑤	SMP 800-C
⑥	BSS 7239
⑦	ASTM E1354



Gaskets made of fire protection compound self-clamping

PROGRAM 1011

Steel spring core

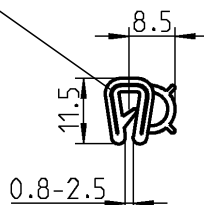
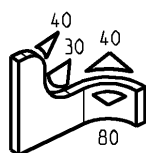


Gasket of fire protection material silicone solid material 70° ±5° Shore A blue-black

①③④⑥⑦

1011-S56-BF

Steel spring core

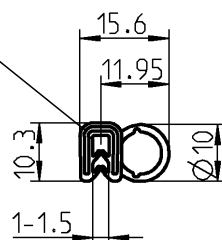
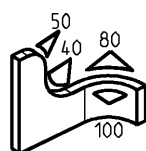


Gasket made of fire protection compound sponge-rubber (EPDM) black (clamping profile EPDM 60° ± 5 Shore A)

①

1011-09-FR01

Steel spring core



Gasket made of fire protection compound sponge-rubber (EPDM) black (clamping profile EPDM 60° ± 5 Shore A)

①

1011-S34-FR01

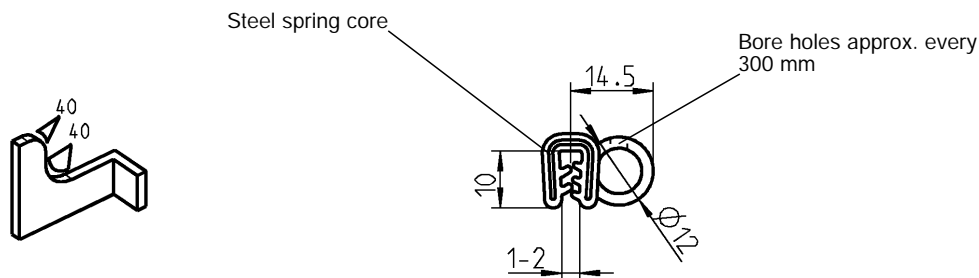
Fire protection standards

①	DIN EN 45545-2
②	NF F 16-101/ -102
③	ASTM C1166
④	ASTM E662
⑤	SMP 800-C
⑥	BSS 7239
⑦	ASTM E1354



Gaskets made of fire protection compound self-clamping

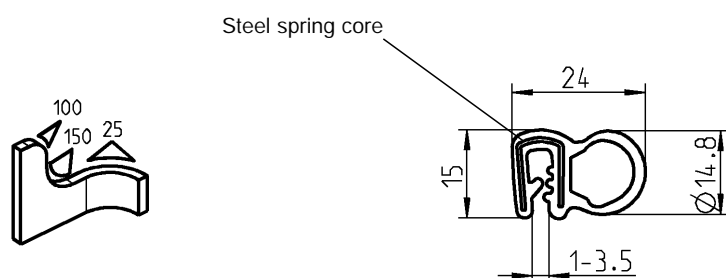
PROGRAM 1011



Gasket made of fire protection compound sponge-rubber (EPDM) black
(clamping profile sponge rubber EPDM)

②③④⑤⑥

1011-S23



Gasket made of fire protection compound silicone solid material

①③④⑥⑦

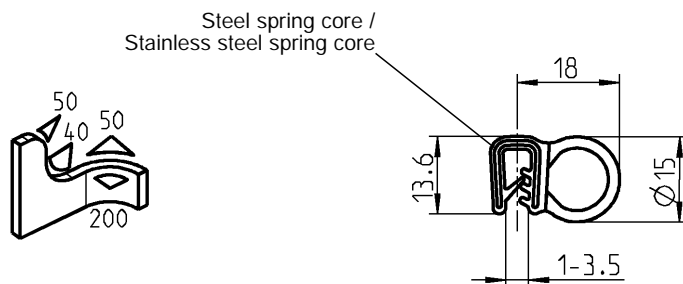
70° ±5° Shore A blue-black

1011-S42-BF

①

75° ±5° Shore A white

1011-S42-HA



Gasket made of fire protection compound sponge-rubber (EPDM) black
(clamping profile EPDM 65° ± 5 Shore A)

① Steel spring core

1011-51-FR01

① Stainless steel spring core

1011-S141-FR01

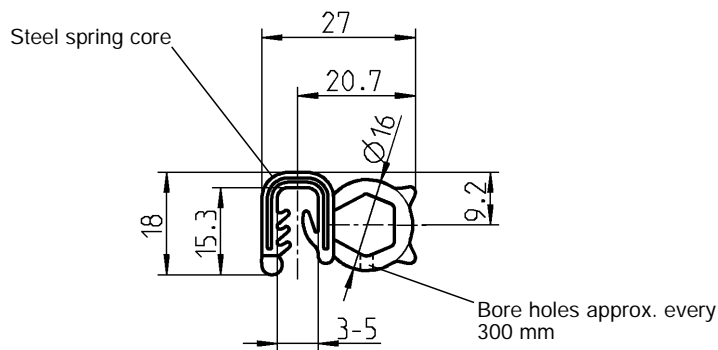
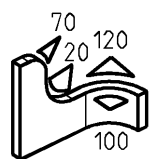
Fire protection standards

①	DIN EN 45545-2
②	NF F 16-101/ -102
③	ASTM C1166
④	ASTM E662
⑤	SMP 800-C
⑥	BSS 7239
⑦	ASTM E1354



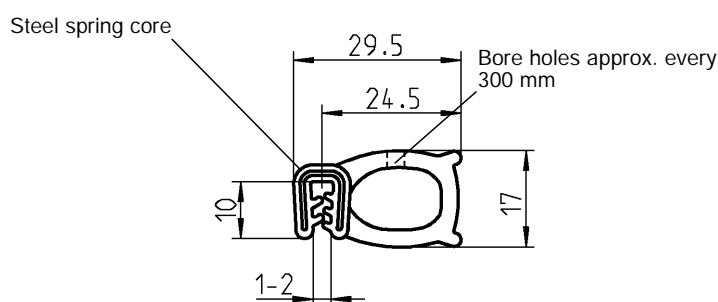
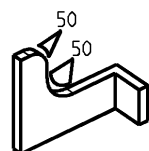
Gaskets made of fire protection compound self-clamping

PROGRAM 1011



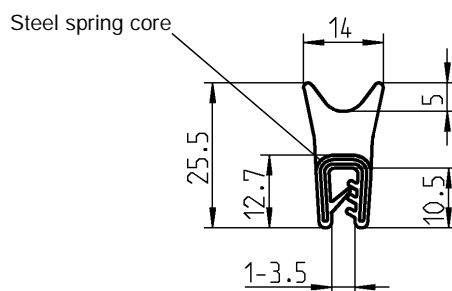
Gasket made of fire protection compound sponge-rubber (EPDM) black (clamping profile EPDM 60° ± 5 Shore A)

① 1011-45-FR01



Gasket made of fire protection compound sponge-rubber (EPDM) black (clamping profile sponge rubber EPDM)

②③④⑤⑥ 1011-S24



Gasket made of fire protection compound sponge-rubber (EPDM) black (clamping profile EPDM 60° ± 5 Shore A)

① 1011-S124-FR01

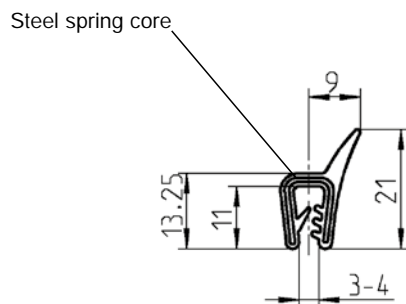
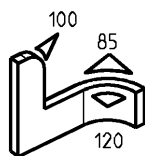
Fire protection standards

①	DIN EN 45545-2
②	NF F 16-101/ -102
③	ASTM C1166
④	ASTM E662
⑤	SMP 800-C
⑥	BSS 7239
⑦	ASTM E1354



Gaskets made of fire protection compound self-clamping

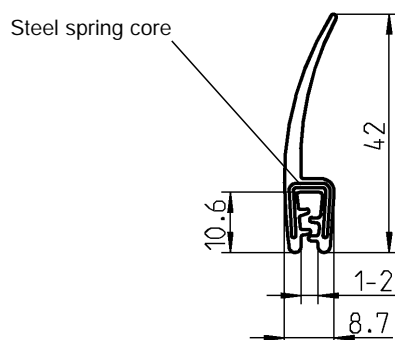
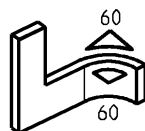
PROGRAM 1011



Gasket of fire protection material silicone solid material 70° ±5° Shore A blue-black

①③④⑥⑦

1011-S53-BF



Gasket of fire protection material silicone solid material 70° ±5° Shore A blue-black

①③④⑥⑦

1011-S83-BF

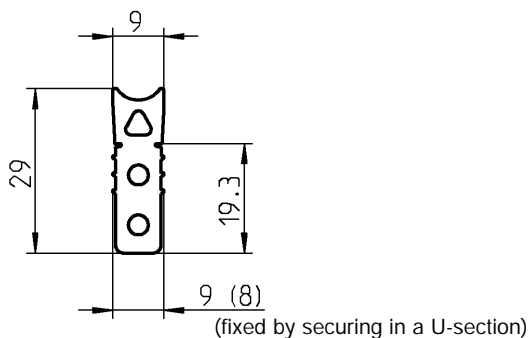
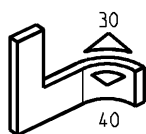
Fire protection standards



①	DIN EN 45545-2
②	NF F 16-101/ -102
③	ASTM C1166
④	ASTM E662
⑤	SMP 800-C
⑥	BSS 7239
⑦	ASTM E1354

Gaskets made of fire protection compound fixed by securing in a U-section

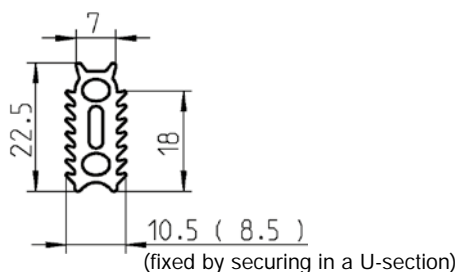
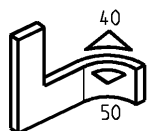
PROGRAM 1003



Gasket of fire protection material silicone foam blue-black

①③④⑥⑦

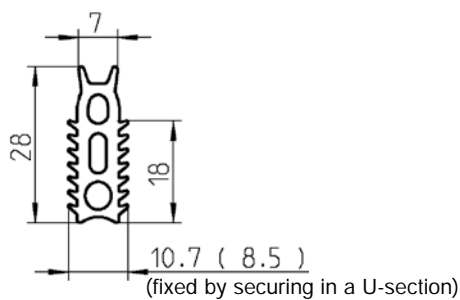
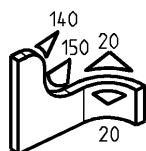
1003-S32-BF



Gasket of fire protection material silicone solid material 50° ±5° Shore A blue-black

①

1003-S30-BF



Gasket of fire protection material silicone solid material 50° ±5° Shore A blue-black

①

1003-S29-BF

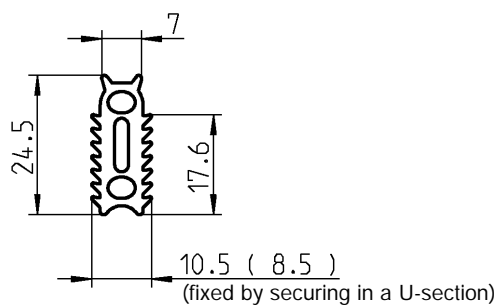
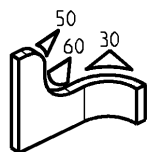
Fire protection standards

①	DIN EN 45545-2
②	NF F 16-101/ -102
③	ASTM C1166
④	ASTM E662
⑤	SMP 800-C
⑥	BSS 7239
⑦	ASTM E1354



Gaskets made of fire protection compound fixed by securing in a U-section

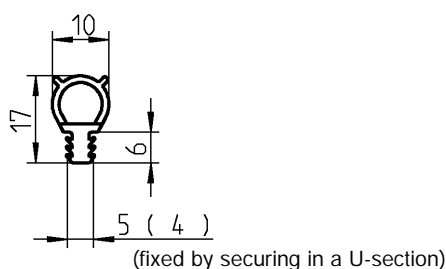
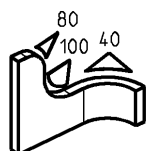
PROGRAM 1003, 1101, 1038



Gasket made of fire protection compound sponge-rubber (EPDM) black
(clamping profile EPDM 25° ± 5 Shore A)

①

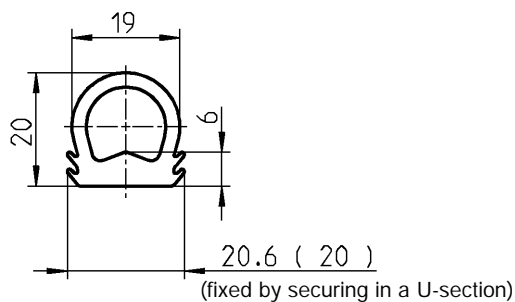
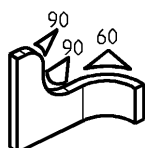
1003-15-FR01



Gasket made of fire protection compound sponge-rubber (EPDM) black
(clamping profile EPDM 60° ± 5 Shore A)

①

1101-03-FR01



Gasket made of fire protection compound sponge-rubber (EPDM) black

①

1038-S52-FR01

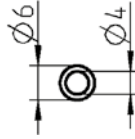
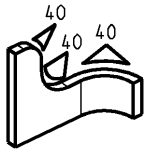
Fire protection standards

①	DIN EN 45545-2
②	NF F 16-101/ -102
③	ASTM C1166
④	ASTM E662
⑤	SMP 800-C
⑥	BSS 7239
⑦	ASTM E1354



Gaskets made of fire protection compound fixed by securing in a U-section

PROGRAM 1016



Gasket made of fire protection compound silicone solid material

①③④⑥⑦	70° ±5° Shore A blue-black	1016-S4-BF
①	75° ±5° Shore A white	1016-S4-HA

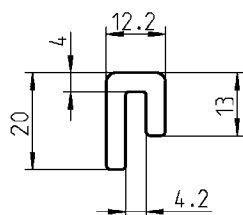
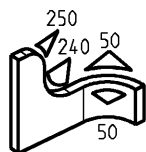
Fire protection standards

①	DIN EN 45545-2
②	NF F 16-101/ -102
③	ASTM C1166
④	ASTM E662
⑤	SMP 800-C
⑥	BSS 7239
⑦	ASTM E1354



Clip-on gasket of fire protection material

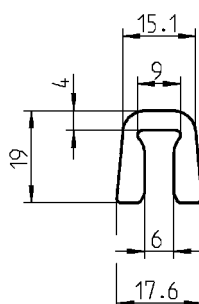
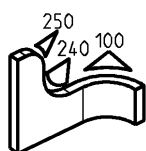
PROGRAM 1038



Clip-on gasket of fire protection material EPDM black 60° ± 5 Shore A

①

1038-S49-FR01



Clip-on gasket of fire protection material EPDM black 60° ± 5 Shore A

①

1038-S50-FR01

Fire protection standards

①	DIN EN 45545-2
②	NF F 16-101/ -102
③	ASTM C1166
④	ASTM E662
⑤	SMP 800-C
⑥	BSS 7239
⑦	ASTM E1354

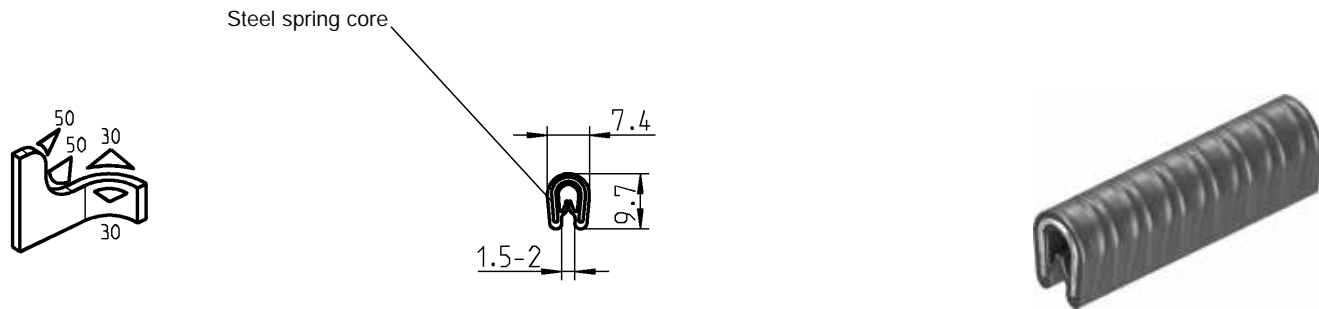


Edge protection made of fire protection compound PROGRAM 1010



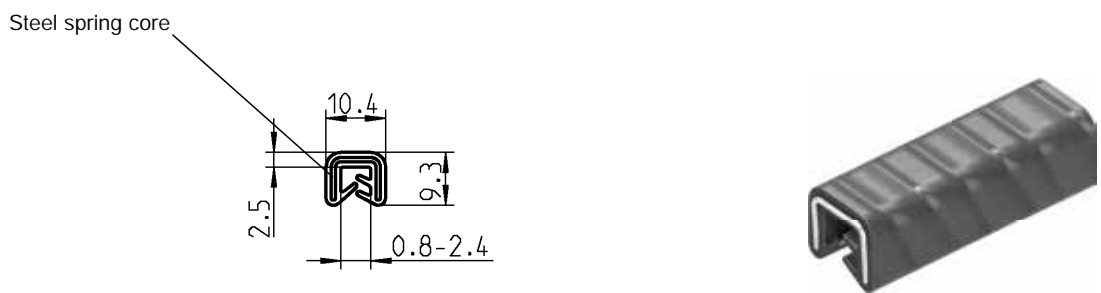
Info

1 Locks



Edge protection made of fire protection compound EPDM 70° ± 5 Shore A black	
①	1010-HP479-FR01

2 Hinges



Edge protection made of fire protection compound EPDM 60° ± 5 Shore A black	
① Coil 50 m length	1010-S14-01
① Coil 100 m length	1010-S14-FR01

3 Gasketings

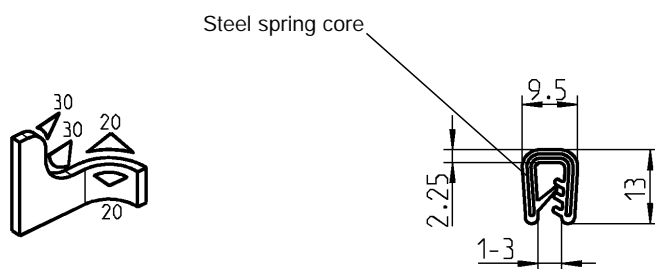
4 Accessories

Index

Fire protection standards



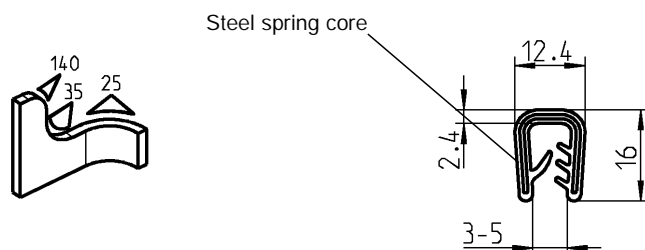
①	DIN EN 45545-2
②	NF F 16-101/ -102
③	ASTM C1166
④	ASTM E662
⑤	SMP 800-C
⑥	BSS 7239
⑦	ASTM E1354



Edge protection made of fire protection compound EPDM 60° ± 5 Shore A black

①

1010-S18-FR01



Edge protection made of fire protection compound EPDM 60° ± 5 Shore A black

①

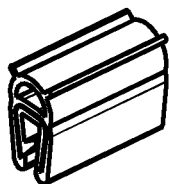
1010-S19-FR01

Fire protection standards

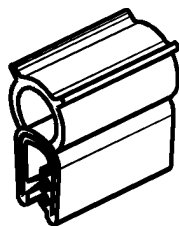


①	DIN EN 45545-2
②	NF F 16-101/ -102
③	ASTM C1166
④	ASTM E662
⑤	SMP 800-C
⑥	BSS 7239
⑦	ASTM E1354

EMC gasketing material



Dimensions
see general catalogue
catalogue page 5A-220
article 1011-10



Dimensions
see general catalogue
catalogue page 5A-220
article 1011-05

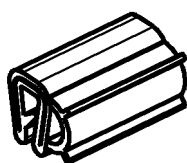


Soft-sponge rubber / EPDM with conductive overall coating and steel spring core

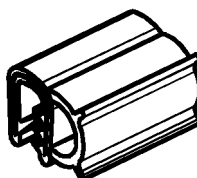
1011-10-E

1011-05-E

EMC gasketing material



Dimensions
see general catalogue
catalogue page 5A-240
article 1011-09



Dimensions
see general catalogue
catalogue page 5A-260
article 1011-06



Soft-sponge rubber / EPDM with conductive overall coating and steel spring core

1011-09-E

1011-06-E

Attention:

Please provide a contact area for all EMC gasketings. For painted or powder coated cabinets see conductive tape.

EMC conductive tape

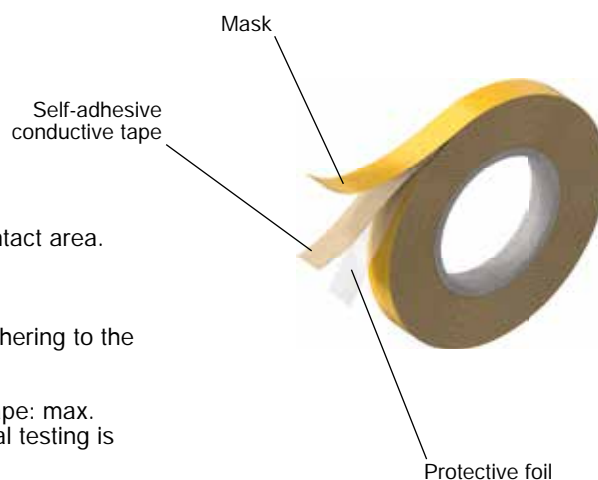
- for painting and contact
- highly-conductive adhesive for creating paint-free contact areas
- length 25 metres

Note

- The area to be adhered to has to be free of grease and dust.
- Remove the protective foil from the conductive tape and adhere it to the contact area.
For better adhesion the conductive tape is wider than the mask.
- Afterwards painting or coating is possible, the mask prevents the coating adhering to the conductive tape.

Please note the following instructions for heat treatment of the conductive tape: max. 120°C permanent heat; short term up to 230°C possible; each time individual testing is necessary.

- After painting or powder coating the mask can be removed easily, the conductive tape is left securely in place.



EMC conductive tape

width of tape (mm)	in combination with EMC gasketing	
12,7	--	1016-220-127E
22	1011-09-E; 1011-10-E	1016-220-220E
25,4	1011-05-E; 1011-06-E	1016-220-254E
Further dimensions on request		





1 Locks



2 Hinges



3 Gasketings



4 Accessories

Aluminium window with 61 mm
frame completely assembled
available



Aluminium window with 30 mm
frame completely assembled
available



Aluminium window without frame
completely assembled
available



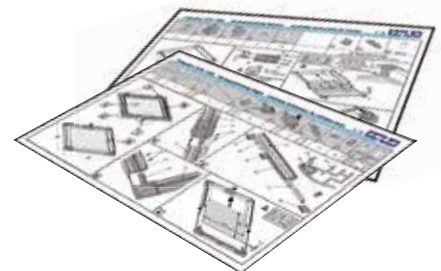
Aluminium window without frame completely assembled available



Aluminium window, window with frame completely assembled available



Aluminium window kit for self assembly including assembly instructions without acrylic glass available

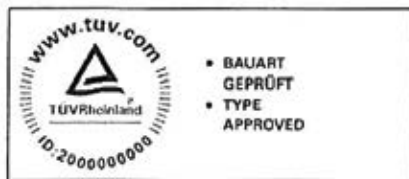


Emergency hammer with holder

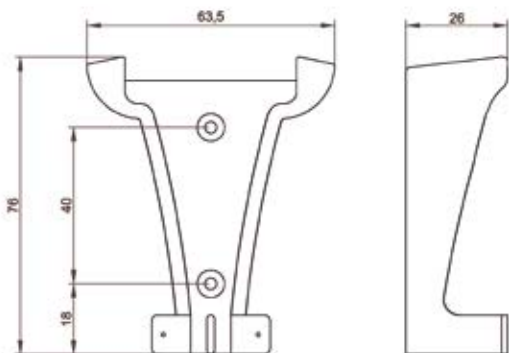
Tail hook

PROGRAMM 5225

Prüfzeichen Test Mark



Zertifikat Nr. Certificate No.
R 50215914



Emergency hammer material to fire test
95/28/EC Annex 4

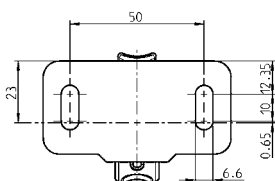
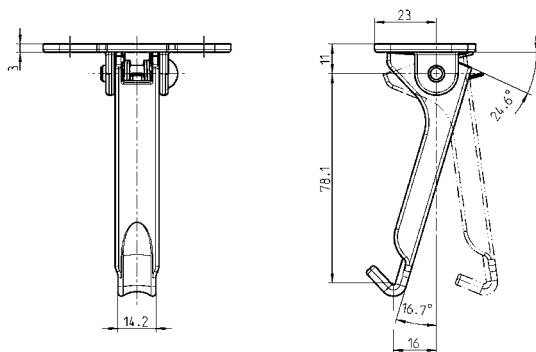
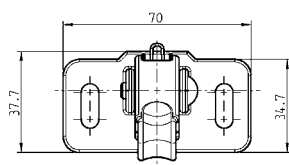


Emergency hammer polypropylene red, steel zinc plated with hardened insert on tip

5225-U305

Emergency hammer holder grey polypropylene

5225-03

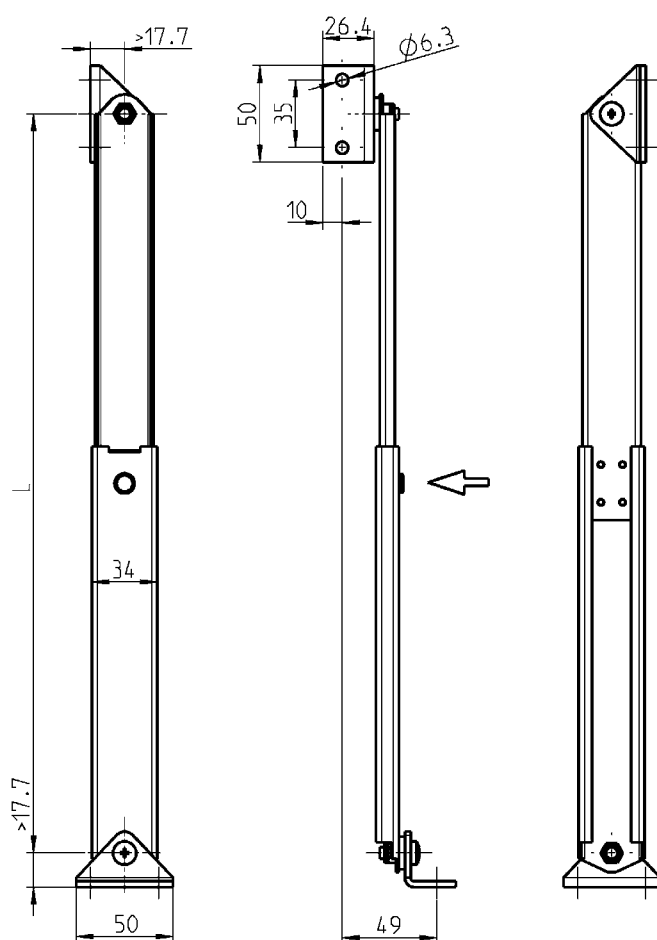
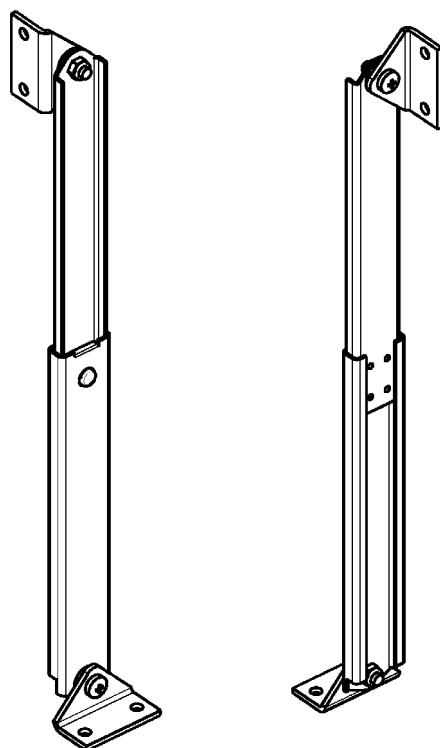


Tail hook AISI 316; spring and half-round rivet stainless steel

5225-U400

Stainless steel telescopic cover stay with push button for unlocking

PROGRAM 1097



Telescopic cover stay AISI 304, push button AISI 303

	retracted	extended	
Dim. L	213	382	1097-U5-PC

Further parts see page
– Hinges

Chapter B2

Notes

Item no.:	Catalogue page	Item no.:	Catalogue page	Item no.:	Catalogue page	Item no.:	Catalogue page
1000-02-PF	B1-180	1000-990	B1-120	1000-U13	B1-120	1000-U195	B1-120
1000-10	B1-530	1000-990	B1-170	1000-U17	B1-120	1000-U196-N	B1-120
1000-11	B1-530	1000-990	B1-180	1000-U18	B1-120	1000-U197	B1-120
1000-12	B1-530	1000-991	B1-120	1000-U20	B1-120	1000-U198	B1-120
1000-13	B1-530	1000-991	B1-170	1000-U21	B1-530	1000-U219	B1-120
1000-14	B1-530	1000-991	B1-180	1000-U22	B1-530	1000-U219-G	B1-120
1000-15	B1-530	1000-5043-SI	B1-530	1000-U23	B1-530	1000-U220	B1-120
1000-16	B1-530	1000-5046	B1-530	1000-U24	B1-530	1000-U220-G	B1-120
1000-17	B1-530	1000-5046-SI	B1-530	1000-U25	B1-530	1000-U221	B1-120
1000-18	B1-530	1000-5119	B1-530	1000-U26	B1-530	1000-U221-G	B1-120
1000-19	B1-530	1000-5161	B1-530	1000-U27	B1-530	1000-U222	B1-120
1000-20	B1-530	1000-5164	B1-530	1000-U28	B1-530	1000-U222-G	B1-120
1000-21	B1-530	1000-S132	B1-570	1000-U29	B1-530	1000-U223	B1-120
1000-22	B1-530			1000-U30	B1-530	1000-U223-G	B1-120
1000-23	B1-120	1000-S880	B1-560	1000-U31	B1-530	1000-U224	B1-120
1000-23	B1-170	1000-S881	B1-560	1000-U32	B1-530	1000-U224-G	B1-120
1000-23	B1-180	1000-S1719	B1-180	1000-U33	B1-530	1000-U225	B1-120
1000-24	B1-120	1000-S1806-GPF	B1-180	1000-U34	B1-530	1000-U226	B1-120
1000-24	B1-170			1000-U35	B1-530	1000-U227	B1-120
1000-24	B1-180	1000-SU51	B1-140	1000-U36	B1-530	1000-U228	B1-120
1000-25	B1-530	1000-SU125	B1-130	1000-U37	B1-530	1000-U229	B1-120
1000-26	B1-530	1000-SU209-LI	B1-130	1000-U38	B1-530	1000-U230	B1-120
1000-27	B1-530	1000-SU209-RE	B1-130	1000-U39	B1-530	1000-U246	B1-120
1000-28	B1-530	1000-SU215-LIPH	B1-430	1000-U40	B1-530	1000-U248	B1-120
1000-50	B1-530	1000-SU215-REPH	B1-430	1000-U41	B1-530	1000-U249	B1-120
1000-51	B1-530	1000-SU215-01LIPH	B1-240	1000-U42	B1-530	1000-U317	B1-120
1000-52	B1-530	1000-SU215-01REPH	B1-240	1000-U43	B1-530	1000-U318	B1-120
1000-53	B1-530	1000-SU324	B1-220	1000-U44	B1-530	1000-U322	B1-120
1000-54	B1-530	1000-SU543-PF	B1-170	1000-U45	B1-120	1000-U323	B1-120
1000-55	B1-530	1000-SU543-01PF	B1-170	1000-U45-G	B1-120	1000-U324	B1-120
1000-56	B1-530	1000-SU560	B1-410	1000-U46	B1-120	1000-U325	B1-120
1000-61	B1-550	1000-SU610-LI	B1-440	1000-U47	B1-120	1000-U326	B1-120
1000-91	B1-550	1000-SU610-RE	B1-440	1000-U47-G	B1-120	1000-U327	B1-120
1000-93	B1-550	1000-SU720	B1-220	1000-U51	B1-120	1000-U328	B1-120
1000-97-01	B1-510	1000-SU724	B1-220	1000-U54	B1-120	1000-U329	B1-120
1000-97-02	B1-510	1000-SU725	B1-220	1000-U54-G	B1-120	1000-U330	B1-120
1000-112	B1-530	1000-SU730	B1-220	1000-U55	B1-120	1000-U331	B1-120
1000-113	B1-530	1000-SU733	B1-220	1000-U55-G	B1-120	1000-U332	B1-120
1000-179	B1-530	1000-SU735	B1-220	1000-U56	B1-120	1000-U333	B1-120
1000-179-PD	B1-530	1000-SU736	B1-220	1000-U56-G	B1-120	1000-U334	B1-120
1000-180	B1-530	1000-SU751	B1-260	1000-U63	B1-530	1000-U335	B1-120
1000-180-PD	B1-530	1000-SU751-01	B1-260	1000-U64	B1-530	1000-U336	B1-120
1000-221	B1-530	1000-SU751-05	B1-260	1000-U65	B1-120	1000-U351	B1-120
1000-221-PD	B1-530	1000-SU752	B1-220	1000-U66	B1-120	1000-U352	B1-120
1000-223	B1-530	1000-SU785	B1-250	1000-U67	B1-120	1000-U431	B1-180
1000-223-PD	B1-530	1000-SU785-01	B1-250	1000-U68	B1-120	1000-U431-01	B1-180
1000-225	B1-530	1000-SU785-02	B1-250	1000-U69	B1-120	1000-U431-PF	B1-180
1000-225-PD	B1-530	1000-SU785-04	B1-250	1000-U78	B1-120	1000-U432	B1-180
1000-227	B1-530	1000-SU785-05	B1-250	1000-U96	B1-120	1000-U499	B1-180
1000-227-PD	B1-530	1000-SU821	B1-140	1000-U134	B1-120	1000-U500	B1-180
1000-228	B1-530	1000-SU861	B1-220	1000-U135	B1-120	1000-U504	B1-120
1000-228-PD	B1-530	1000-SU925-LIPH	B1-230	1000-U136	B1-120	1000-U505	B1-120
1000-229	B1-530	1000-SU925-REPH	B1-230	1000-U137	B1-120	1000-U506	B1-120
1000-229-PD	B1-530	1000-SU925-01LIPH	B1-230	1000-U138	B1-120	1000-U507	B1-120
1000-230	B1-530	1000-SU925-01REPH	B1-230	1000-U142	B1-120	1000-U509	B1-120
1000-230-PD	B1-530	1000-SU925-02LIPH	B1-230	1000-U155	B1-120	1000-U510	B1-120
1000-277-01JB	B1-930	1000-SU925-03LIPH	B1-230	1000-U155-G	B1-120	1000-U530	B1-120
1000-277-01PI	B1-180	1000-SU925-03REPH	B1-230	1000-U164	B1-120	1000-U531	B1-120
1000-277-04JB	B1-710	1000-SU948-LI	B1-280	1000-U165	B1-120	1000-U532	B1-120
1000-386-18	B1-530	1000-SU948-RE	B1-280	1000-U166	B1-120	1000-U533	B1-120
1000-386-20	B1-530	1000-SU951-LI	B1-150	1000-U167	B1-530	1000-U534	B1-120
1000-386-22	B1-530	1000-SU951-RE	B1-150	1000-U168	B1-120	1000-U535	B1-120
1000-386-24	B1-530			1000-U169	B1-120	1000-U536	B1-120
1000-386-28	B1-530	1000-U1	B1-120	1000-U182	B1-120	1000-U537	B1-120
1000-386-30	B1-530	1000-U2	B1-120	1000-U183	B1-120	1000-U630	B1-120
1000-476	B1-540	1000-U3	B1-120	1000-U184-N	B1-120	1000-U631	B1-120
1000-477	B1-540	1000-U4	B1-120	1000-U185-N	B1-120	1000-U729	B1-120
1000-478	B1-540	1000-U5	B1-120	1000-U186-N	B1-120	1000-U736	B1-120
1000-556-KA	B1-930	1000-U6	B1-120	1000-U187-N	B1-120	1000-U737	B1-120
1000-569-PH	B1-560	1000-U7	B1-120	1000-U188-N	B1-120	1000-U738	B1-120
1000-608-LJB	B1-930	1000-U7-G	B1-120	1000-U194	B1-120	1000-U739	B1-120

Item no.:	Catalogue page	Item no.:	Catalogue page	Item no.:	Catalogue page	Item no.:	Catalogue page
1000-U748	B1-210	1000-U890-01LIPH	B1-270	1011-05-FR01	B3-210	1054-U2	B2-140
1000-U748-01	B1-210	1000-U890-01REPH	B1-270	1011-06-E	B3-610	1054-U3	B2-140
1000-U749	B1-210	1000-U891-LIPH	B1-270	1011-09-E	B3-610	1054-U8	B2-140
1000-U749-01	B1-210	1000-U891-REPH	B1-270	1011-09-FR01	B3-230	1054-U9	B2-140
1000-U755-01	B1-210	1000-U891-01LIPH	B1-270	1011-10-E	B3-610	1054-U14	B2-140
1000-U755-02	B1-220	1000-U891-01REPH	B1-270	1011-45-FR01	B3-250	1054-U15	B2-140
1000-U757	B1-120			1011-51-FR01	B3-240	1054-U16	B2-140
1000-U757-01	B1-120	1001-SU29-PC	B1-810			1054-U17	B2-140
1000-U769	B1-120	1001-SU29-01PC	B1-810	1011-S19	B3-210	1054-U23	B2-140
1000-U769	B1-170			1011-S23	B3-240	1054-U24	B2-140
1000-U769	B1-180	1001-U43	B1-820	1011-S24	B3-250	1054-U25	B2-140
1000-U776	B1-530	1001-U44	B1-820	1011-S34-FR01	B3-230	1054-U26	B2-140
1000-U776-PH	B1-530			1011-S42-BF	B3-240		
1000-U777	B1-210	1003-15-FR01	B3-320	1011-S42-HA	B3-240	1055-U2	B2-150
1000-U777-01	B1-210			1011-S47-BF	B3-210	1055-U5	B2-150
1000-U783	B1-210	1003-S29-BF	B3-310	1011-S47-HA	B3-210	1055-U6	B2-150
1000-U786	B1-220	1003-S30-BF	B3-310	1011-S53-BF	B3-260	1055-U8	B2-150
1000-U794	B1-220	1003-S32-BF	B3-310	1011-S56-BF	B3-230		
1000-U795	B1-210			1011-S80	B3-210	1056-U5-PH	B2-240
1000-U796	B1-210	1004-01	B1-570	1011-S83-BF	B3-260	1056-U6-01	B2-260
1000-U798	B1-210	1004-02	B1-570	1011-S118-FR01	B3-220	1056-U9-PH	B2-240
1000-U799	B1-220	1004-03	B1-570	1011-S119-FR01	B2-220	1056-U10-01	B2-260
1000-U802	B1-220	1004-04	B1-570	1011-S124-FR01	B3-250	1056-U13-PH	B2-250
1000-U803	B1-220	1004-05	B1-570	1011-S127-FR01	B2-220	1056-U14-01	B2-260
1000-U804	B1-220	1004-06	B1-570	1011-S140-FR01	B3-210	1056-U17-PH	B2-250
1000-U805	B1-210	1004-18	B1-570	1011-S141-FR01	B3-240		
1000-U806	B1-220	1004-19	B1-570			1057-U3	B1-420
1000-U807	B1-210	1004-20	B1-570	1016-220-127E	B3-610		
1000-U808	B1-220	1004-21	B1-570	1016-220-220E	B3-610	1085-U1	B1-710
1000-U809	B1-210	1004-24	B1-570	1016-220-254E	B3-610		
1000-U810	B1-220	1004-26	B1-570			1097-U5-PC	B4-220
1000-U811	B1-210	1004-29	B1-570				
1000-U812	B1-220	1004-30	B1-570	1016-S4-BF	B3-330		
1000-U813	B1-220	1004-31	B1-570	1016-S4-HA	B3-330	1101-03-FR01	B3-320
1000-U816	B1-220	1004-33	B1-570				
1000-U817-01PH	B1-160	1004-34	B1-570	1018-SU1	B1-520	1117-U1	B2-310
1000-U817-02IA	B1-160	1004-35	B1-570	1031-SU80	B2-120	1117-U1-PF	B2-310
1000-U817-03IA	B1-160	1004-36	B1-570	1031-SU96	B2-210	1117-U2	B2-310
1000-U817-03PH	B1-160	1004-37	B1-570	1031-SU107	B2-230	1117-U3	B2-310
1000-U817-04IA	B1-160	1004-38	B1-570			1117-U4	B2-310
1000-U817-05IA	B1-160	1004-39	B1-570	1031-U12	B2-110	1117-U4-PC	B2-310
1000-U817-05PH	B1-160	1004-41	B1-570	1031-U13	B2-110	1117-U5	B2-310
1000-U817-07PH	B1-160	1004-42	B1-570	1031-U14	B2-130	1117-U5-PC	B2-310
1000-U817-08IA	B1-160	1004-48	B1-570	1031-U15	B2-120		
1000-U817-16IA	B1-160	1004-49	B1-570	1031-U18	B2-130	1125-81-20PH	B1-930
1000-U817-17IA	B1-160	1004-51	B1-570	1031-U19	B2-110	1125-83-015	B1-930
1000-U817-23IA	B1-160	1004-52	B1-570	1031-U20	B2-110	1125-83-020	B1-930
1000-U817-23PH	B1-160	1004-54	B1-570	1031-U22	B2-110	1125-84-015	B1-930
1000-U817-24PH	B1-160					1125-84-020	B1-930
1000-U830	B1-220	1004-S123	B1-150	1034-03	B1-710		
1000-U831	B1-210	1004-S123	B1-280			1154-05-PH	B1-920
1000-U831-01	B1-210			1034-U1	B1-710		
1000-U831-02	B1-220	1006-SU1-PC	B2-220			1154-U1	B1-920
1000-U832	B1-220			1038-S49-FR01	B3-410	1154-U2	B1-920
1000-U833	B1-210	1006-U1	B2-210	1038-S50-FR01	B3-410	1154-U3	B1-920
1000-U841	B1-120	1006-U1-PC	B2-210	1038-S52-FR01	B3-320		
1000-U848	B1-290					1210-08-KA	B1-410
1000-U848-IA	B1-290	1007-U1	B2-210	1039-U12	B2-150	1210-08-PH	B1-410
1000-U865-LIPH	B1-230	1007-U2	B2-210	1039-U13-PF	B2-270	1210-09-AA	B1-410
1000-U865-REPH	B1-230	1007-U10	B2-280	1039-U15-PF	B2-270	1210-09-PH	B1-410
1000-U869-LIPH	B1-230			1039-U17	B2-150		
1000-U869-REPH	B1-230	1010-HP479-FR01	B3-510	1039-U19	B2-150	1500-U776-LIPH	B1-300
1000-U870-LIPH	B1-230			1039-U26	B2-150		
1000-U870-REPH	B1-230					5225-03	B4-210
1000-U874	B1-930	1010-S14-01	B3-510				
1000-U874-VA	B1-930	1010-S14-FR01	B3-510	1053-U1	B1-720	5225-U305	B4-210
1000-U876	B1-120			1053-U2	B1-720	5225-U400	B4-210
1000-U876	B1-120	1010-S18-FR01	B3-520	1053-U3	B1-720		
1000-U878	B1-120			1053-U4	B1-720		
1000-U879	B1-120	1010-S19-FR01	B3-520	1053-U5	B1-720		
1000-U890-LIPH	B1-270			1053-U6	B1-720		
1000-U890-REPH	B1-270	1011-05-E	B3-610				

A strong partner
by your side!



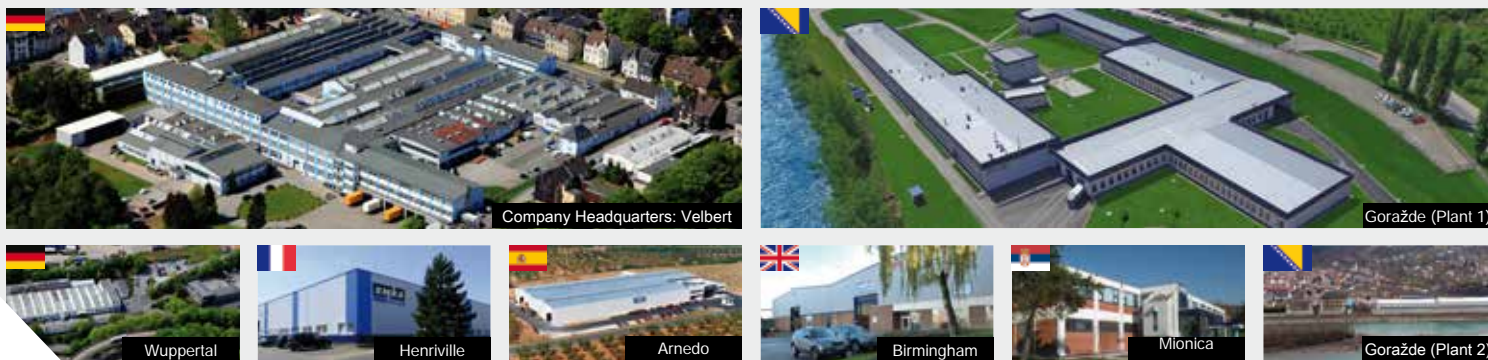
EMKA Subsidiaries Worldwide:



- | | | | | |
|---|--|---|---|---|
| ALGERIA
EMKA France
Tel. +33/254/320862
emka@emka-france.com | CHINA
EMKA Industrial Hardware CO.Ltd.
Tel. +86/22/82123759
info@emka.cn | ISRAEL *
Kornass Mechanical Engineering
Tel. +972/76/5400789
sales@kornass.com | PORTUGAL
EMKA Beschlagteile Iberica S.L.
Tel. +351/910904688
info@emka-iberica.pt | TURKMENISTAN
EMKA Kilit Sistemleri Metal Sanayi ve Ticaret Ltd. Şti.
Tel. +90/262/2909097
info@emkakilit.com.tr |
| ARMENIA
EMKA Kilit Sistemleri Metal Sanayi ve Ticaret Ltd. Şti.
Tel. +90/262/2909097
info@emkakilit.com.tr | CROATIA
EMKA Okovi d.o.o.
Tel. +385/35/270073
info@emka-okovi.hr | ITALY
EMKA Italia s.r.l. Unipersonale
Tel. +39/045/6471070
info@emka.it | ROMANIA
S.C. EMKA Beschlagteile S.R.L.
Tel. +40/269/222700
info@emka.ro | TURKEY
EMKA Kilit Sistemleri Metal Sanayi ve Ticaret Ltd. Şti.
Tel. +90/262/2909097
info@emkakilit.com.tr |
| AUSTRIA
EMKA Beschlagteile Ges.m.b.H.
Tel. +43/2143/32063
info@emka-beschlagteile.at | CZECH REPUBLIC
EMKA Beschlagteile CZ
Tel. +43/214343063
info@emka-solutions.cz | JAPAN *
TOCHIGIYA Co., Ltd
Tel. +81/48/2283072
support@tochigiya.co.jp | RUSSIA *
OOO "MK Komplekt"
Tel. +7/812/4492928
info@mk-kom.ru | UAE
EMKA Middle East FZE
Tel. +971/42844528
info@emka.ae |
| AUSTRALIA *
Lock Focus Pty. Ltd.
Tel. +61/3/97981322
lockf@lockfocus.com.au | DENMARK *
A/S Megatrade Beslag
Tel. +45/44916700
mega@megatrade.dk | KAZAKHSTAN
EMKA Kilit Sistemleri Metal Sanayi ve Ticaret Ltd. Şti.
Tel. +90/262/2909097
info@emkakilit.com.tr | SERBIA
EMKA Okovi d.o.o.
Tel. +385/35/270073
info@emka-okovi.hr | UKRAINE
EMKA Ukraine
Tel. +38/096/7535875
info@emka.in.ua |
| AZERBAIJAN
EMKA Kilit Sistemleri Metal Sanayi ve Ticaret Ltd. Şti.
Tel. +90/262/2909097
info@emkakilit.com.tr | ESTONIA
EMKA Polska Sp. Z o.o.
Tel. +48/323606026
info@emka.net | LATVIA
EMKA Polska Sp. Z o.o.
Tel. +48/323606026
info@emka.net | SINGAPORE *
VF Fastening Systems PTE Ltd.
Tel. +65/675/23033
vincent@vffastening.com.sg | UNITED KINGDOM
EMKA (UK) Ltd.
Tel. +44/2476/616505
info@emka.co.uk |
| BELARUS
EMKA Polska Sp. Z o.o.
Tel. +48/323606026
info@emka.net | FINLAND
EMKA Scandinavia
Tel. +46/36/314130
info@emka.se | LITHUANIA
EMKA Polska Sp. Z o.o.
Tel. +48/323606026
info@emka.net | SLOVAKIA
EMKA Beschlagteile Ges.m.b.H.
Tel. +43/214343063
miro.emka@ba.telecom.sk | USA
EMKA Inc.
Tel. +1/717/9861111
info@emkausa.com |
| BELGIUM
EMKA Benelux B.V. Service Office
Tel. +31/413/323510
sales@emka.org | FRANCE
EMKA France
Tel. +33/254/320862
emka@emka-france.com | MEXICO
EMKA Mexico Beschlagteile
Tel. +52/44/22095217
info@emka.mx | SOUTH AFRICA *
Enclosure Solutions
Tel. +27/11/9737260
info@enclosuresolutions.co.za | UZBEKISTAN
EMKA Kilit Sistemleri Metal Sanayi ve Ticaret Ltd. Şti.
Tel. +90/262/2909097
info@emkakilit.com.tr |
| BOSNIA-HERZEGOVINA
EMKA Bosnia d.o.o. Goražde
Tel. +38/738/241310
info@emka.ba | GEORGIA
EMKA Kilit Sistemleri Metal Sanayi ve Ticaret Ltd. Şti.
Tel. +90/262/2909097
info@emkakilit.com.tr | MONTENEGRO
EMKA Bosnia d.o.o. Goražde
Tel. +38/738/241310
info@emka.ba | SOUTH KOREA *
Geo Jeon Co. Ltd.
Tel. +82/314/335508
geojeon@emkakorea.co.kr | VIETNAM *
Terramar Engineering and Machinery (Pte.) Ltd.
Tel. +84/8/39153209
cam@terramar.com |
| CANADA
EMKA Inc.
Tel. +1/717/9861111
info@emkausa.com | GREECE *
EMKA Hellas
Tel. +30/21041/83183
info@emka-hellas.com | NETHERLANDS
EMKA Benelux B.V.
Tel. +31/413/323510
info@emka.org | SPAIN
EMKA Beschlagteile Iberica S.L.
Tel. +34/672262672
info@emka-iberica.es | |
| CHILE *
NDU Ingenieria Ltda.
Tel. +56/63/2672240
info@ndu.cl | HUNGARY
EMKA Beschlagteile
Tel. +36/1/2360032
info@emka.hu | NORWAY
EMKA Scandinavia
Tel. +46/36/314130
info@emka.se | SWEDEN
EMKA Scandinavia
Tel. +46/36/314130
info@emka.se | |
| | INDIA
EMKA India P. A. Pvt. Ltd.
Tel. +91/80/48542727
info@emka.in | POLAND
EMKA Polska Sp. Z o.o.
Tel. +48/323606026
info@emka.net | SWITZERLAND
EMKA Beschlagteile AG
Tel. +41/33/8260220
info@emka.ch | |

* Agencies

EMKA Production Sites:



www.EMKA.com

EMKA Beschlagteile GmbH & Co. KG

Langenberger Str. 32 • 42551 Velbert, Germany • Tel.: +49/2051/273-0 • Fax: +49/2051/273-128 • E-Mail: info@emka.com • www.emka.com